
BUILT-IN REFRIGERATOR COLUMNS
BUILT-IN FREEZER COLUMNS
BUILT-IN WINE COLUMNS
BUILT-IN BOTTOM MOUNT

DESIGN GUIDE - EU



BUILT-IN COLUMNS

These premium refrigerators, freezers and wine columns are masterpieces of design and technology. Their stylish appearance reflects close attention to detail and high-quality materials, inside and out. The stainless steel front and panel ready doors are mounted with state-of-the-art engineered lift-and-swing hinges that give the perception of a weightless range of motion. Versatile installation options make it possible to bring together elegant configurations of the refrigerator, freezer and wine columns in any desired width. All three columns work in harmony with handles and finishes available for every Series.

INDEX



INTRODUCTION 3

BUILT-IN REFRIGERATOR COLUMNS 4

90cm (36") Refrigerator Column Panel Installed	6
90cm (36") Refrigerator Column Panel Ready	9
75cm (30") Refrigerator Column Panel Installed	12
75cm (30") Refrigerator Column Panel Ready	15
60cm (24") Refrigerator Column Panel Installed	18
60cm (24") Refrigerator Column Panel Ready	21

BUILT-IN FREEZER COLUMNS 24

75cm (30") Freezer Column Panel Installed	26
75cm (30") Freezer Column Panel Ready	29
60cm (24") Freezer Column Panel Installed	32
60cm (24") Freezer Column Panel Ready	35
45cm (18") Freezer Column Panel Installed	38
45cm (18") Freezer Column Panel Ready	41

BUILT-IN WINE COLUMNS 44

60cm (24") Wine Column Panel Installed	46
60cm (24") Wine Column Panel Ready	49
45cm (18") Wine Column Panel Installed	52
45cm (18") Wine Column Panel Ready	55

MULTIPLE INSTALLATIONS 58

105cm (42") Double Configurations	61
120cm (48") Double Configurations	62
135cm (54") Double Configurations	63
150cm (60") Double Configurations	64

MULTIPLE INSTALLATIONS

150cm (60") Triple Configurations	65
165cm (66") Triple Configurations	66
180cm (72") Triple Configurations	67
195cm (78") Triple Configurations	68
225cm (90") Triple Configurations	69
Custom Door Panel	70
Recommended Installations	71
Refrigeration Handles	72
Toekick Panel	73

BUILT-IN BOTTOM MOUNT REFRIGERATORS 74

90cm (36") Combi Bottom Mount Panel Installed	76
90cm (36") Combi Bottom Mount Panel Ready	79
75cm (30") Combi Bottom Mount Panel Installed	82
75cm (30") Combi Bottom Mount Panel Ready	85

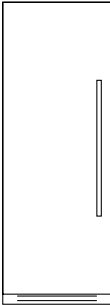
BOTTOM MOUNT MULTIPLE INSTALLATIONS 88

150cm (60") Combi Double Configurations	91
165cm (66") Combi Double Configurations	92
180cm (72") Combi Double Configurations	93
120cm (48") Double Configurations	94
135cm (54") Double Configurations	95
150cm (60") Double Configurations	96
Bottom Mount Custom Door Panel	97
Bottom Mount Refrigeration Handles	98

BUILT-IN REFRIGERATOR COLUMNS



90cm - 75cm - 60cm
(36" - 30" - 24")
Panel Ready and
Panel Installed





90cm (36") Refrigerator Column Panel Installed



Dimensions

LRD905UBLXTT (left hinge)
LRD905UBRXTT (right hinge)

Handle choices

Professional Series: PROHKCOL

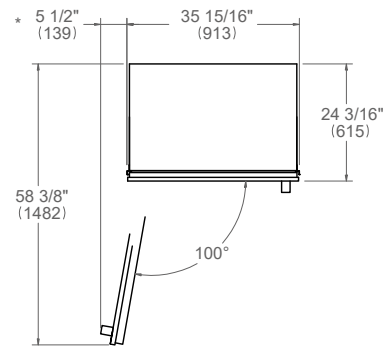
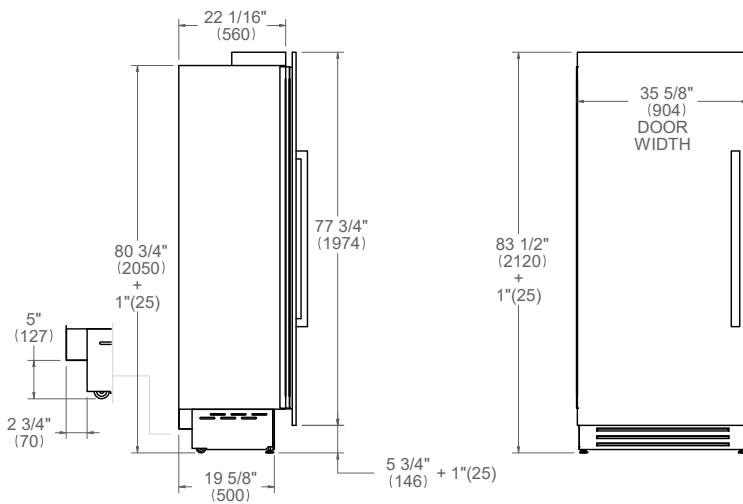
Master series: MASHKCOL

Heritage Series: HERHKCOL

SIDE VIEW

FRONT VIEW

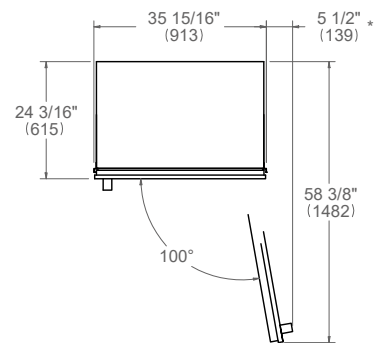
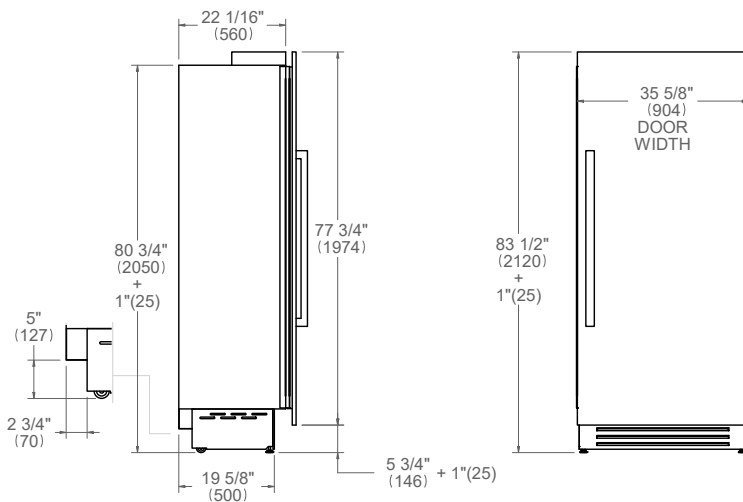
TOP VIEW



SIDE VIEW

FRONT VIEW

TOP VIEW



* Maximum Overall Handle Dimension
For detailed handle dimensions see page 71

90cm (36") Refrigerator Column Panel Installed

Installation requirements



INSTALLATION

All Bertazzoni columns can be installed in a standard 635mm (25") depth cutout.

Finish the edges of the opening because they may be visible when the door is open.

For a built-in installation, to cover gaps between the appliance and the adjacent cabinets, special side profiles are factory-installed and covering frames are provided with the product.

For instructions of product combinations please see the Multiple Installation Section (page 58).

CABINET REQUIREMENT

Installation of the appliance must be performed in accordance with the provisions of applicable legislation.

Be sure that support of this appliance is perpendicular to the front facing of the wall or cabinet before you perform the installation.

The floor must be flat and must be capable of supporting the weight of the appliance when in use.

Required floor support	695 kg (1532 lb)
-------------------------------	------------------

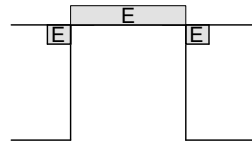
ELECTRICAL REQUIREMENT

The installation must comply with all applicable electrical codes. A properly - grounded horizontally - mounted electrical receptacle should be installed.

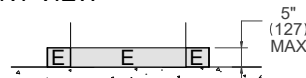
Place the electrical supply flush with the back wall and within the shaded area shown in the illustrations.

Placement within the opening may require additional cabinet depth.

TOP VIEW



FRONT VIEW



A separate circuit breaker servicing only this appliance is recommended.

Electrical supply	220-240 V 50/60 Hz 220 W 1,2 Amp
Service	10 Amp dedicated circuit
Power Connection	2-pole 220V SCHUKO plug with 2m power cord

For detailed installation specifications consult the multiple installation requirements page or each single product installation manual.

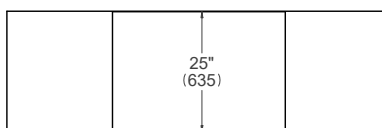
Dimensions in parentheses are millimeters unless otherwise specified.

90cm (36") Refrigerator Column Panel Installed

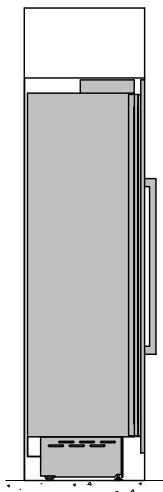
Flush installation



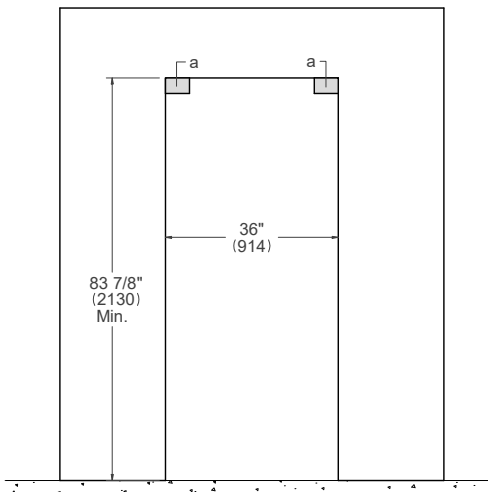
TOP VIEW^b



SIDE VIEW



FRONT VIEW



(a) Area to be left clear for the anti-tipping brackets – 82x127mm (3"1/2x5")

Dimensions in parentheses are millimeters unless otherwise specified.

b: depth includes kitchen cabinet front panel.

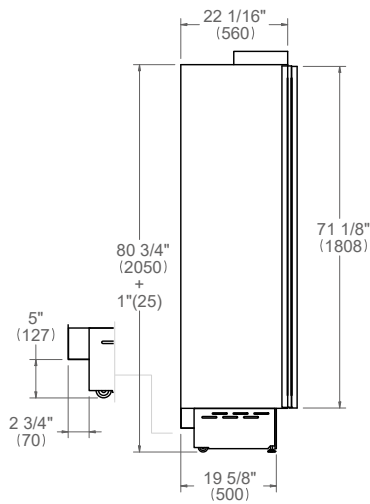
90cm (36") Refrigerator Column Panel Ready

Dimensions

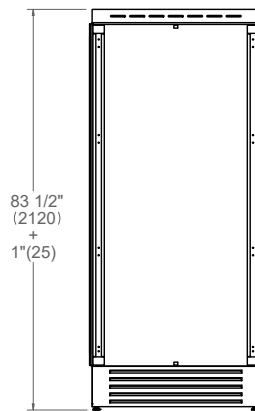


LRD905UBLPTT (left hinge)
LRD905UBRPTT (right hinge)

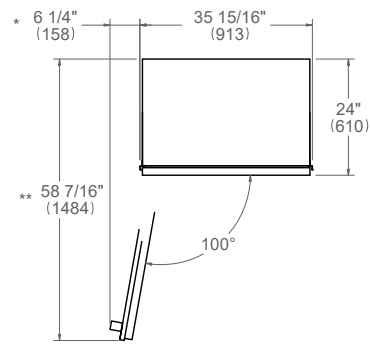
SIDE VIEW



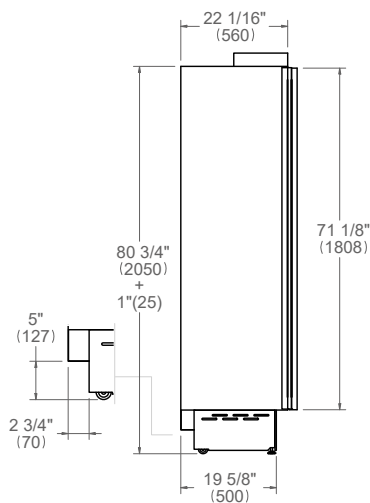
FRONT VIEW



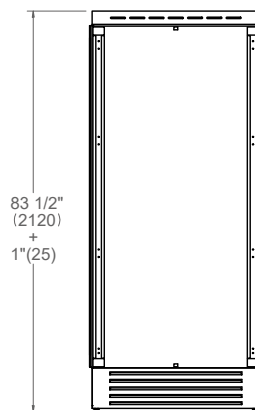
TOP VIEW



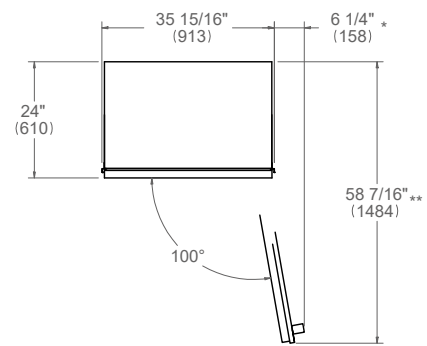
SIDE VIEW



FRONT VIEW



TOP VIEW



* Maximum Overall Handle Dimension
** Width of 19mm (3/4") Door Panel
For detailed handle dimensions see page 71

Dimensions in parentheses are millimeters unless otherwise specified.

90cm (36") Refrigerator Column Panel Ready

Installation requirements



INSTALLATION

All Bertazzoni columns can be installed in a standard 635mm (25") depth cutout.

Finish the edges of the opening because they may be visible when the door is open.

For a built-in installation, to cover gaps between the appliance and the adjacent cabinets, special side profiles are factory-installed and covering frames are provided with the product.

For panel ready columns, do not exceed the maximum weight of 34 kg (75 pounds) for door panel. Panel can have thickness ranging between 19mm (3/4") and 28mm (1 1/8").

For instructions of product combinations please see the Multiple Installation Section (page 58).

CABINET REQUIREMENT

Installation of the appliance must be performed in accordance with the provisions of applicable legislation.

Be sure that support of this appliance is perpendicular to the front facing of the wall or cabinet before you perform the installation.

The floor must be flat and must be capable of supporting the weight of the appliance when in use.

Required floor support	695 kg (1532 lb)
-------------------------------	------------------

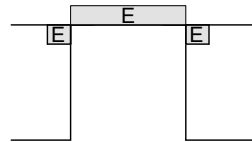
ELECTRICAL REQUIREMENT

The installation must comply with all applicable electrical codes. A properly - grounded horizontally - mounted electrical receptacle should be installed.

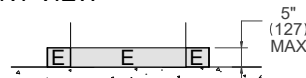
Place the electrical supply flush with the back wall and within the shaded area shown in the illustrations.

Placement within the opening may require additional cabinet depth.

TOP VIEW



FRONT VIEW



A separate circuit breaker servicing only this appliance is recommended.

Electrical supply	220-240 V 50/60 Hz 220 W 1,2 Amp
Service	10 Amp dedicated circuit
Power Connection	2-pole 220V SCHUKO plug with 2m power cord

For detailed installation specifications consult the multiple installation requirements page or each single product installation manual.

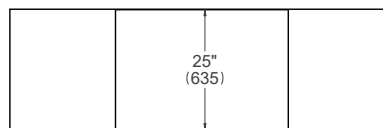
Dimensions in parentheses are millimeters unless otherwise specified.

90cm (36") Refrigerator Column Panel Ready

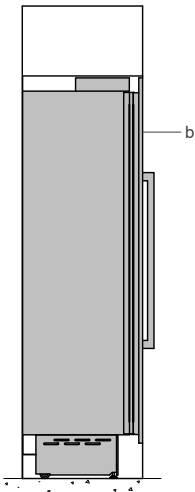
Flush installation



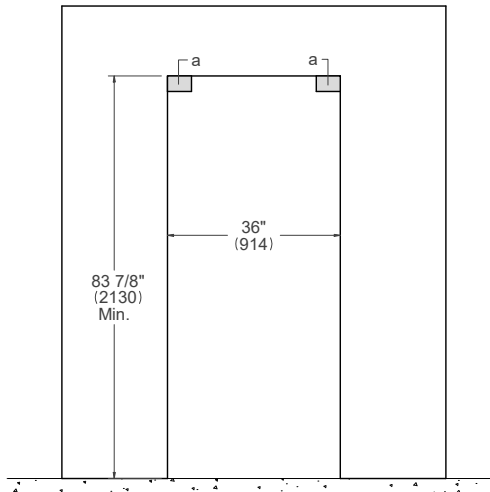
TOP VIEW^b



SIDE VIEW



FRONT VIEW



* Maximum Overall Handle Dimension

** Width of 19mm (3/4") Door Panel

For detailed handle dimensions see page 71

Dimensions in parentheses are millimeters unless otherwise specified.

75cm (30") Refrigerator Column Panel Installed

Dimensions



LRD755UBLXTT (left hinge)
LRD755UBRXTT (right hinge)

Handle choices

Professional Series: PROHKCOL

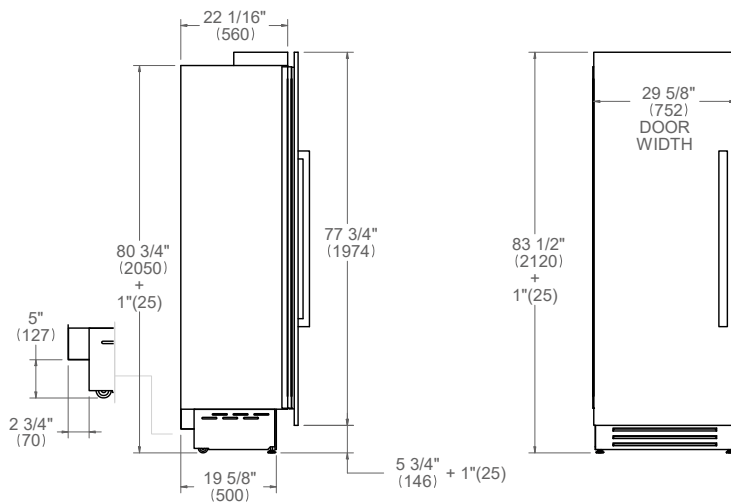
Master series: MASHKCOL

Heritage Series: HERHKCOL

SIDE VIEW

FRONT VIEW

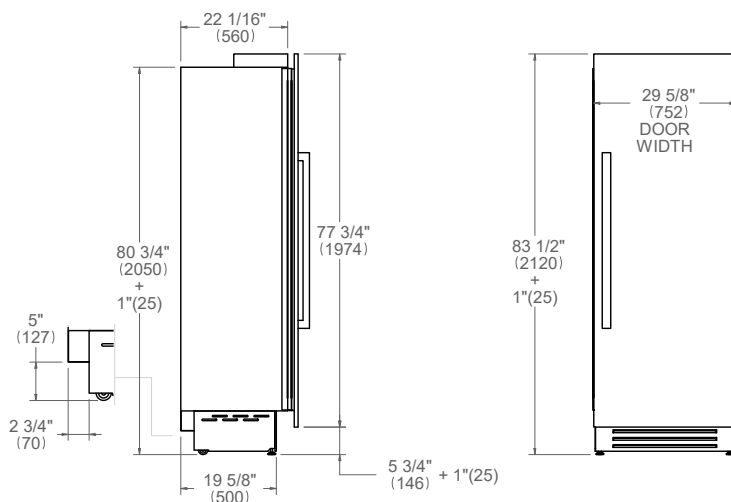
TOP VIEW



SIDE VIEW

FRONT VIEW

TOP VIEW



* Maximum Overall Handle Dimension
For detailed handle dimensions see page 71

Dimensions in parentheses are millimeters unless otherwise specified.

75cm (30") Refrigerator Column Panel Installed

Installation requirements



INSTALLATION

All Bertazzoni columns can be installed in a standard 635mm (25") depth cutout.

Finish the edges of the opening because they may be visible when the door is open.

For a built-in installation, to cover gaps between the appliance and the adjacent cabinets, special side profiles are factory-installed and covering frames are provided with the product.

For instructions of product combinations please see the Multiple Installation Section (page 58).

CABINET REQUIREMENT

Installation of the appliance must be performed in accordance with the provisions of applicable legislation.

Be sure that support of this appliance is perpendicular to the front facing of the wall or cabinet before you perform the installation.

The floor must be flat and must be capable of supporting the weight of the appliance when in use.

Required floor support	570 kg (1257 lb)
-------------------------------	------------------

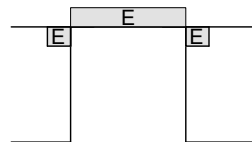
ELECTRICAL REQUIREMENT

The installation must comply with all applicable electrical codes. A properly - grounded horizontally - mounted electrical receptacle should be installed.

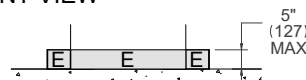
Place the electrical supply flush with the back wall and within the shaded area shown in the illustrations.

Placement within the opening may require additional cabinet depth.

TOP VIEW



FRONT VIEW



A separate circuit breaker servicing only this appliance is recommended.

Electrical supply	220-240 V 50/60 Hz 220 W 1,2 Amp
Service	10 Amp dedicated circuit
Power Connection	2-pole 220V SCHUKO plug with 2m power cord

For detailed installation specifications consult the multiple installation requirements page or each single product installation manual.

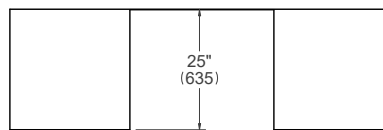
Dimensions in parentheses are millimeters unless otherwise specified.

75cm (30") Refrigerator Column Panel Installed

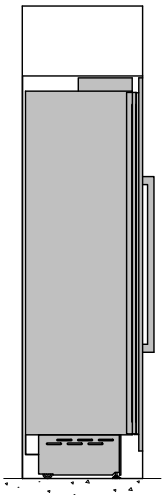
Flush installation



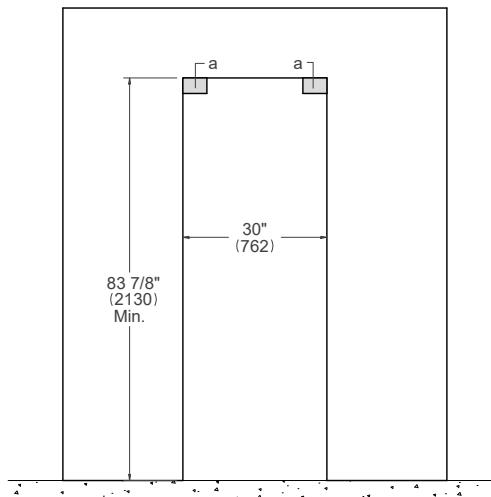
TOP VIEW^b



SIDE VIEW



FRONT VIEW



(a) Area to be left clear for the anti-tipping brackets – 82x127mm (3"1/2x5")

Dimensions in parentheses are millimeters unless otherwise specified.

b: depth includes kitchen cabinet front panel.

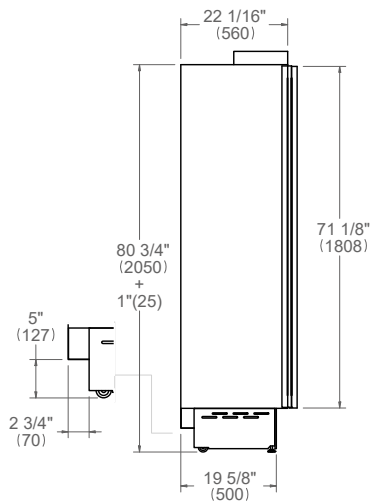
75cm (30") Refrigerator Column Panel Ready

Dimensions

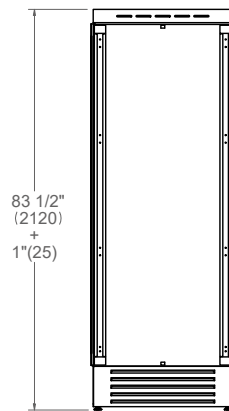


LRD755UBLPTT (left hinge)
LRD755UBRPTT (right hinge)

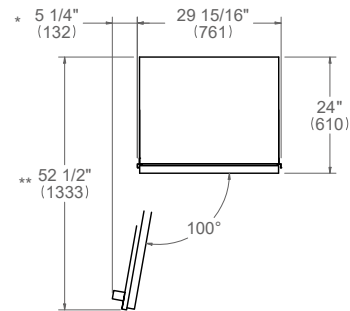
SIDE VIEW



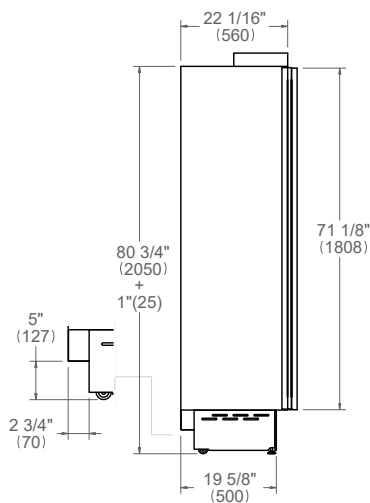
FRONT VIEW



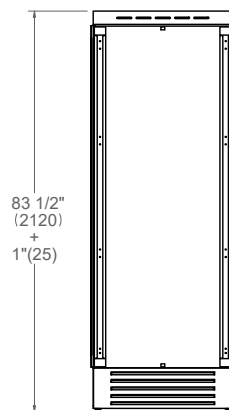
TOP VIEW



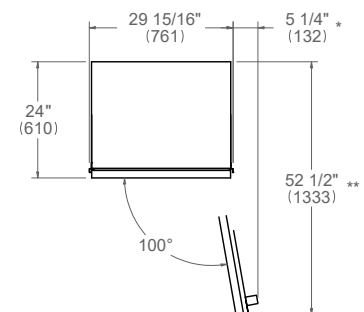
SIDE VIEW



FRONT VIEW



TOP VIEW



* Maximum Overall Handle Dimension
** Width of 19mm (3/4") Door Panel
For detailed handle dimensions see page 71

Dimensions in parentheses are millimeters unless otherwise specified.

75cm (30") Refrigerator Column Panel Ready

Installation requirements



INSTALLATION

All Bertazzoni columns can be installed in a standard 635mm (25") depth cutout.

Finish the edges of the opening because they may be visible when the door is open.

For a built-in installation, to cover gaps between the appliance and the adjacent cabinets, special side profiles are factory-installed and covering frames are provided with the product.

For panel ready columns, do not exceed the maximum weight of 34 kg (75 pounds) for door panel. Panel can have thickness ranging between 19mm (3/4") and 28mm (1 1/8").

For instructions of product combinations please see the Multiple Installation Section (page 58).

CABINET REQUIREMENT

Installation of the appliance must be performed in accordance with the provisions of applicable legislation.

Be sure that support of this appliance is perpendicular to the front facing of the wall or cabinet before you perform the installation.

The floor must be flat and must be capable of supporting the weight of the appliance when in use.

Required floor support	570 kg (1257 lb)
-------------------------------	------------------

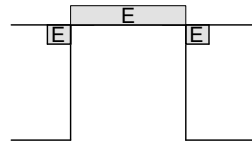
ELECTRICAL REQUIREMENT

The installation must comply with all applicable electrical codes. A properly - grounded horizontally - mounted electrical receptacle should be installed.

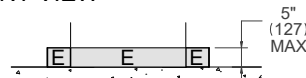
Place the electrical supply flush with the back wall and within the shaded area shown in the illustrations.

Placement within the opening may require additional cabinet depth.

TOP VIEW



FRONT VIEW



A separate circuit breaker servicing only this appliance is recommended.

Electrical supply	220-240 V 50/60 Hz 220 W 1,2 Amp
Service	10 Amp dedicated circuit
Power Connection	2-pole 220V SCHUKO plug with 2m power cord

For detailed installation specifications consult the multiple installation requirements page or each single product installation manual.

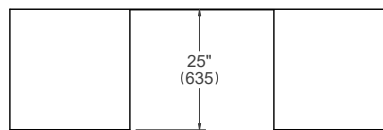
Dimensions in parentheses are millimeters unless otherwise specified.

75cm (30") Refrigerator Column Panel Ready

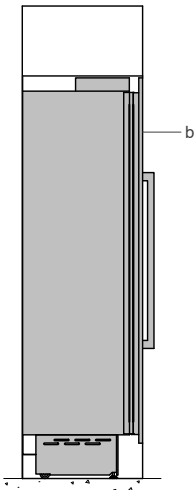
Flush installation



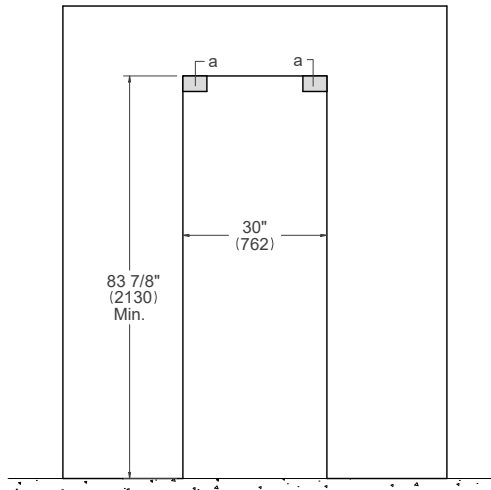
TOP VIEW^b



SIDE VIEW



FRONT VIEW



- (a) Area to be left clear for the anti-tipping brackets – 82x127mm (3"1/2x5")
- (b) Panel dimensions available on Built-in Food Preservation Design Guide or Installation Manual

Dimensions in parentheses are millimeters unless otherwise specified.

b: depth includes kitchen cabinet front panel.

60cm (24") Refrigerator Column Panel Installed

Dimensions



LRD605UBLXTT (left hinge)
LRD605UBRXTT (right hinge)

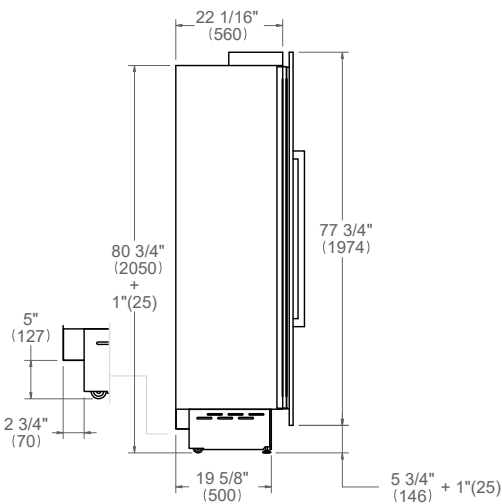
Handle choices

Professional Series: PROHKCOL

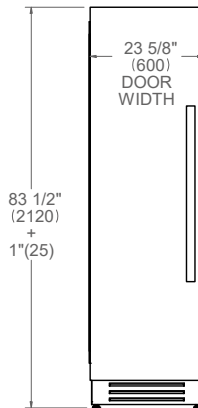
Master series: MASHKCOL

Heritage Series: HERHKCOL

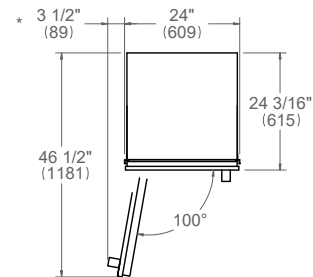
SIDE VIEW



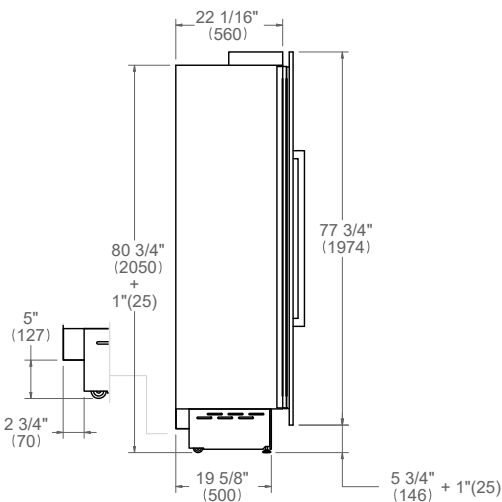
FRONT VIEW



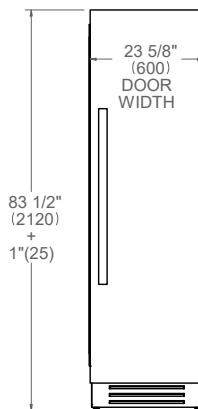
TOP VIEW



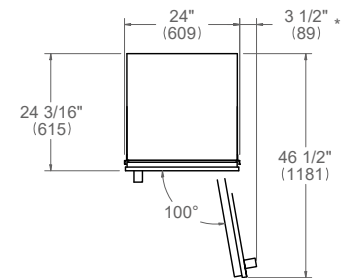
SIDE VIEW



FRONT VIEW



TOP VIEW



* Maximum Overall Handle Dimension
For detailed handle dimensions see page 71

Dimensions in parentheses are millimeters unless otherwise specified.

60cm (24") Refrigerator Column Panel Installed

Installation requirements



INSTALLATION

All Bertazzoni columns can be installed in a standard 635mm (25") depth cutout.

Finish the edges of the opening because they may be visible when the door is open.

For a built-in installation, to cover gaps between the appliance and the adjacent cabinets, special side profiles are factory-installed and covering frames are provided with the product.

For instructions of product combinations please see the Multiple Installation Section (page 58).

CABINET REQUIREMENT

Installation of the appliance must be performed in accordance with the provisions of applicable legislation.

Be sure that support of this appliance is perpendicular to the front facing of the wall or cabinet before you perform the installation.

The floor must be flat and must be capable of supporting the weight of the appliance when in use.

Required floor support	450 kg (992 lb)
-------------------------------	-----------------

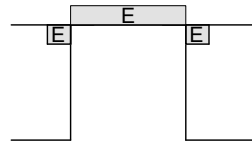
ELECTRICAL REQUIREMENT

The installation must comply with all applicable electrical codes. A properly - grounded horizontally - mounted electrical receptacle should be installed.

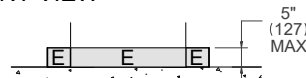
Place the electrical supply flush with the back wall and within the shaded area shown in the illustrations.

Placement within the opening may require additional cabinet depth.

TOP VIEW



FRONT VIEW



A separate circuit breaker servicing only this appliance is recommended.

Electrical supply	220-240 V 50/60 Hz 130 W 0,7 Amp
Service	10 Amp dedicated circuit
Power Connection	2-pole 220V SCHUKO plug with 2m power cord

For detailed installation specifications consult the multiple installation requirements page or each single product installation manual.

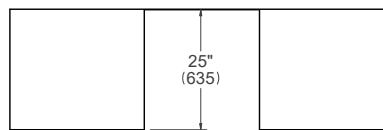
Dimensions in parentheses are millimeters unless otherwise specified.

60cm (24") Refrigerator Column Panel Installed

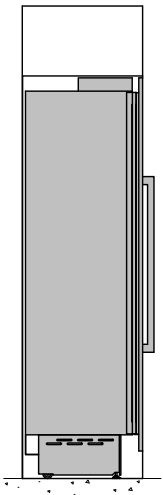
Flush installation



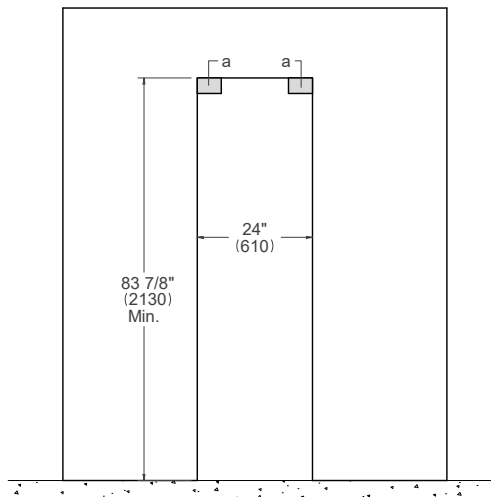
TOP VIEW^b



SIDE VIEW



FRONT VIEW



(a) Area to be left clear for the anti-tipping brackets – 82x127mm (3"1/2x5")

Dimensions in parentheses are millimeters unless otherwise specified.

b: depth includes kitchen cabinet front panel.

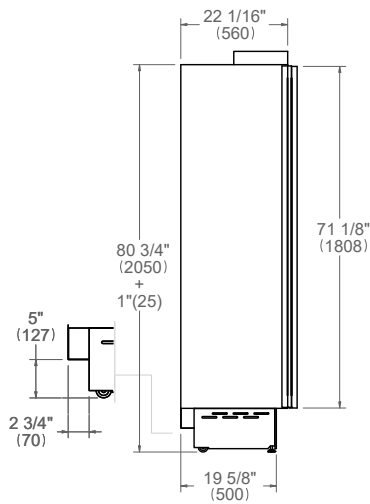
60cm (24") Refrigerator Column Panel Ready

Dimensions

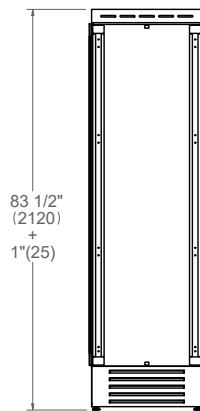


LRD605UBLPTT (left hinge)
LRD605UBRPTT (right hinge)

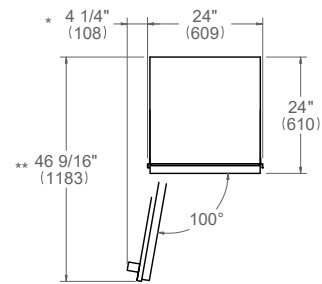
SIDE VIEW



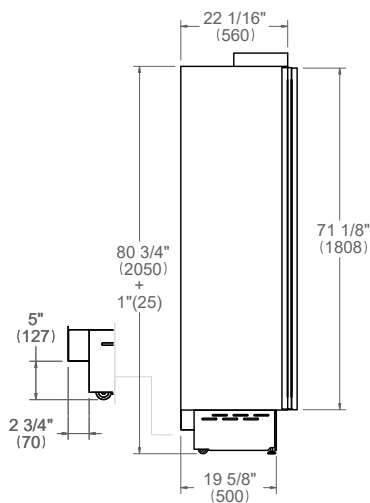
FRONT VIEW



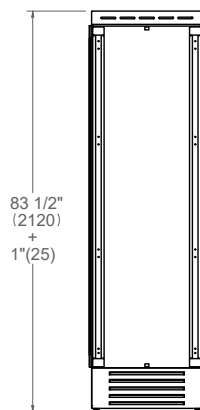
TOP VIEW



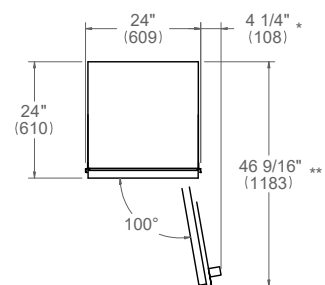
SIDE VIEW



FRONT VIEW



TOP VIEW



* Maximum Overall Handle Dimension
** Width of 19mm (3/4") Door Panel
For detailed handle dimensions see page 71

Dimensions in parentheses are millimeters unless otherwise specified.

60cm (24") Refrigerator Column Panel Ready

Installation requirements



INSTALLATION

All Bertazzoni columns can be installed in a standard 635mm (25") depth cutout.

Finish the edges of the opening because they may be visible when the door is open.

For a built-in installation, to cover gaps between the appliance and the adjacent cabinets, special side profiles are factory-installed and covering frames are provided with the product.

For panel ready columns, do not exceed the maximum weight of 34 kg (75 pounds) for door panel. Panel can have thickness ranging between 19mm (3/4") and 28mm (1 1/8").

For instructions of product combinations please see the Multiple Installation Section (page 58).

CABINET REQUIREMENT

Installation of the appliance must be performed in accordance with the provisions of applicable legislation.

Be sure that support of this appliance is perpendicular to the front facing of the wall or cabinet before you perform the installation.

The floor must be flat and must be capable of supporting the weight of the appliance when in use.

Required floor support	450 kg (992 lb)
-------------------------------	-----------------

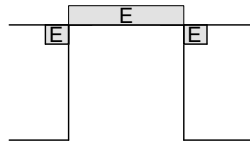
ELECTRICAL REQUIREMENT

The installation must comply with all applicable electrical codes. A properly - grounded horizontally - mounted electrical receptacle should be installed.

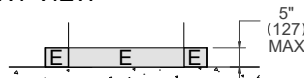
Place the electrical supply flush with the back wall and within the shaded area shown in the illustrations.

Placement within the opening may require additional cabinet depth.

TOP VIEW



FRONT VIEW



A separate circuit breaker servicing only this appliance is recommended.

Electrical supply	220-240 V 50/60 Hz 130 W 0,7 Amp
Service	10 Amp dedicated circuit
Power Connection	2-pole 220V SCHUKO plug with 2m power cord

For detailed installation specifications consult the multiple installation requirements page or each single product installation manual.

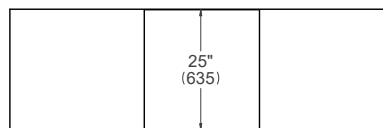
Dimensions in parentheses are millimeters unless otherwise specified.

60cm (24") Refrigerator Column Panel Ready

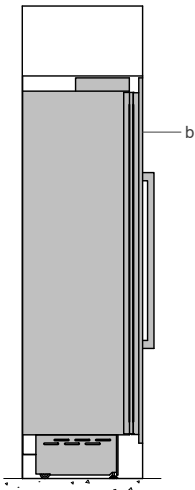
Flush installation



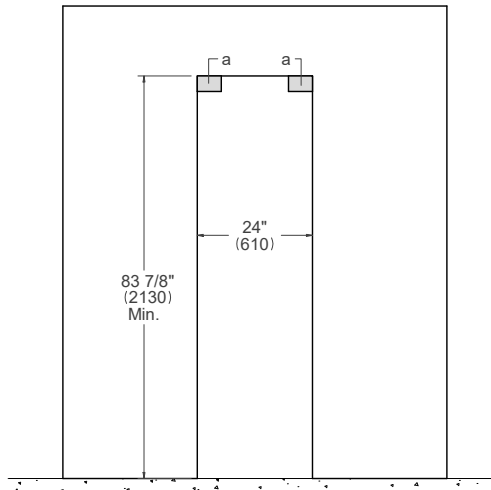
TOP VIEW^b



SIDE VIEW



FRONT VIEW



- (a) Area to be left clear for the anti-tipping brackets – 82x127mm (3"1/2x5")
- (b) Panel dimensions available on Built-in Food Preservation Design Guide or Installation Manual

Dimensions in parentheses are millimeters unless otherwise specified.

b: depth includes kitchen cabinet front panel.

BUILT-IN FREEZER COLUMNS



75cm - 60cm - 45cm
(30" - 24" - 18")
Panel Ready and
Panel Installed





75cm (30") Freezer Column Panel Installed

Dimensions



FRZ755UBLXTT (left hinge)
FRZ755UBRXTT (right hinge)

Handle choices

Professional Series: PROHKCOL

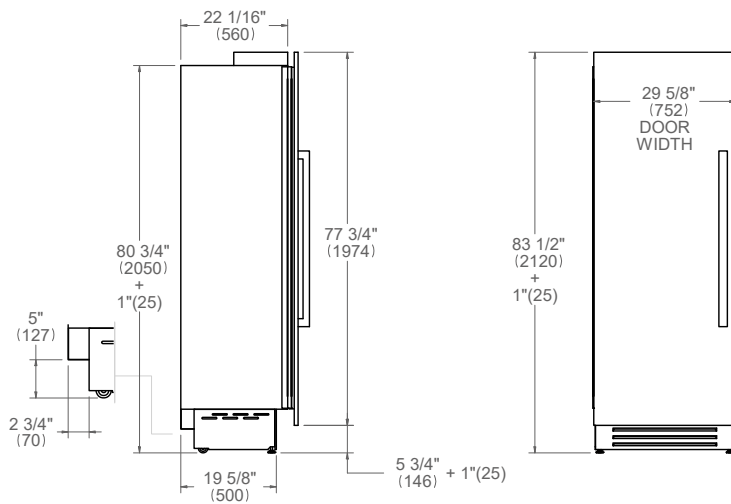
Master series: MASHKCOL

Heritage Series: HERHKCOL

SIDE VIEW

FRONT VIEW

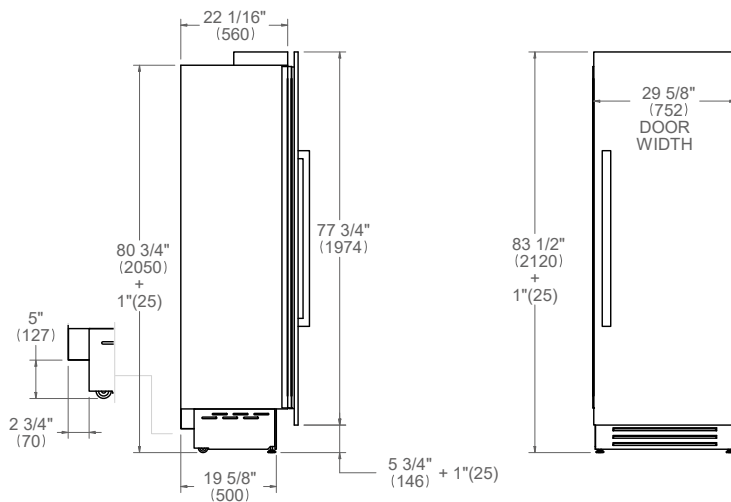
TOP VIEW



SIDE VIEW

FRONT VIEW

TOP VIEW



* Maximum Overall Handle Dimension
For detailed handle dimensions see page 71

Dimensions in parentheses are millimeters unless otherwise specified.

75cm (30") Freezer Column Panel Installed

Installation requirements



INSTALLATION

All Bertazzoni columns can be installed in a standard 635mm (25") depth cutout.

Finish the edges of the opening because they may be visible when the door is open.

For a built-in installation, to cover gaps between the appliance and the adjacent cabinets, special side profiles are factory-installed and covering frames are provided with the product.

For instructions of product combinations please see the Multiple Installation Section (page 58).

CABINET REQUIREMENT

Installation of the appliance must be performed in accordance with the provisions of applicable legislation.

Be sure that support of this appliance is perpendicular to the front facing of the wall or cabinet before you perform the installation.

The floor must be flat and must be capable of supporting the weight of the appliance when in use.

Required floor support	570 kg (1257 lb)
-------------------------------	------------------

ELECTRICAL REQUIREMENT

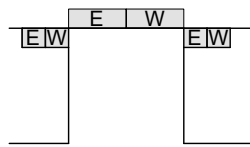
The installation must comply with all applicable electrical codes. A properly - grounded horizontally - mounted electrical receptacle should be installed.

Place the electrical supply flush with the back wall and within the shaded area shown in the illustrations.

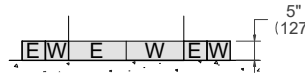
Placement within the opening may require additional cabinet depth.

For detailed installation specifications consult the multiple installation requirements page or each single product installation manual.

TOP VIEW



FRONT VIEW



A separate circuit breaker servicing only this appliance is recommended.

Electrical supply	220-240 V 50/60 Hz 275 W 1,5 Amp
Service	10 Amp dedicated circuit
Power Connection	2-pole 220V SCHUKO plug with 2m power cord

PLUMBING REQUIREMENTS

Bertazzoni Freezer Columns are provided with a water filter assembly which must be mounted outside the unit. The appliance must be connected only to a potable water supply system.

To connect to water supply system (for appliances equipped with ice maker) a 6,4mm (1/4") waterline with accessible shut-off valve must be supplied.

The solenoid connection on the appliance is 19mm (3/4") diameter but is metric threaded (NPT).

The system pressure must be between from 8 PSI to 75 PSI (between 0.5 bar and 5 bar). Different pressures can cause malfunctions or leaks in the water system.

For information on how to purchase the water filter, please see Use and Maintenance Manual.

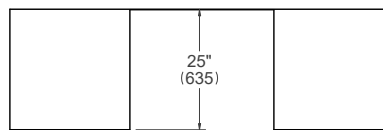
Dimensions in parentheses are millimeters unless otherwise specified.

75cm (30") Freezer Column Panel Installed

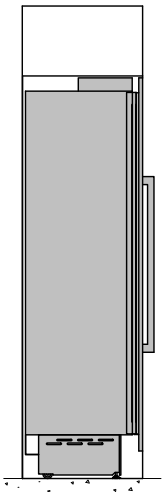
Flush installation



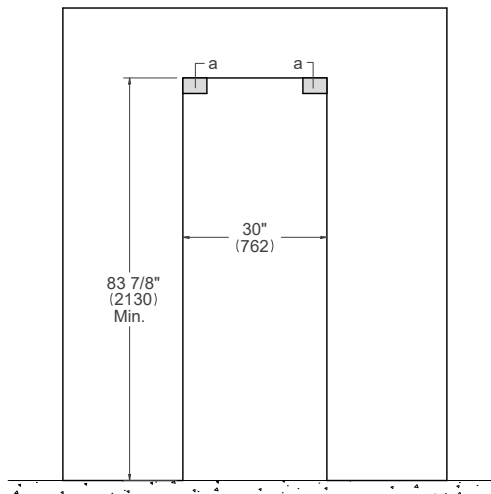
TOP VIEW^b



SIDE VIEW



FRONT VIEW



(a) Area to be left clear for the anti-tipping brackets – 82x127mm (3"1/2x5")

Dimensions in parentheses are millimeters unless otherwise specified.

b: depth includes kitchen cabinet front panel.

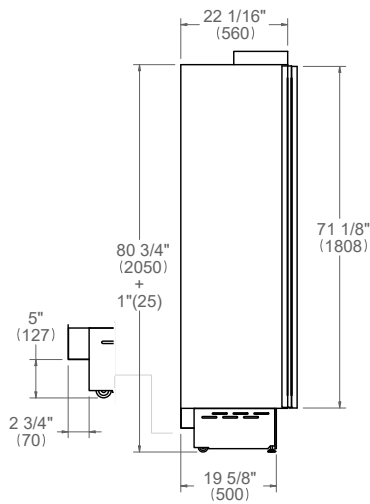
75cm (30") Freezer Column Panel Ready

Dimensions

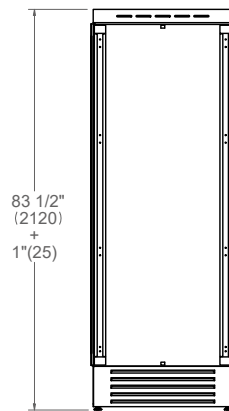


FRZ755UBLPTT (left hinge)
FRZ755UBRPTT (right hinge)

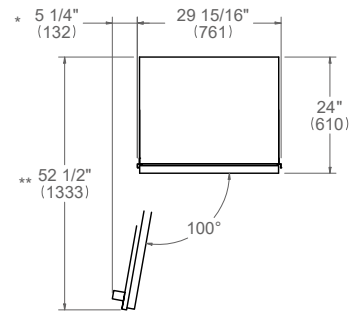
SIDE VIEW



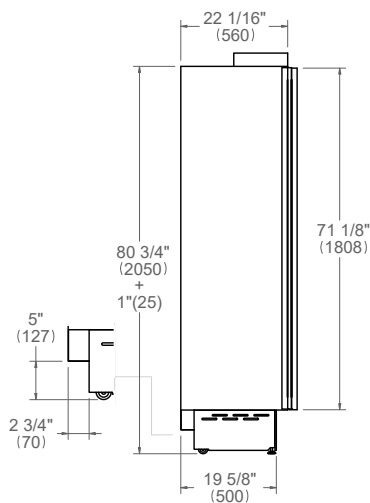
FRONT VIEW



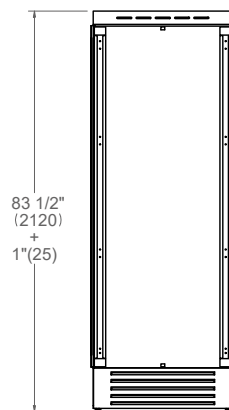
TOP VIEW



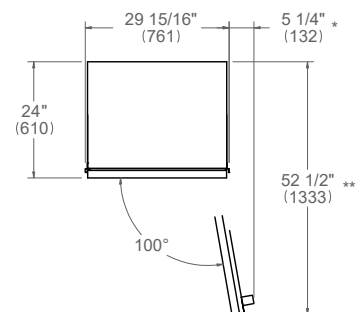
SIDE VIEW



FRONT VIEW



TOP VIEW



* Maximum Overall Handle Dimension
** Width of 19mm (3/4") Door Panel
For detailed handle dimensions see page 71

Dimensions in parentheses are millimeters unless otherwise specified.

75cm (30") Freezer Column Panel Ready

Installation requirements



INSTALLATION

All Bertazzoni columns can be installed in a standard 635mm (25") depth cutout.

Finish the edges of the opening because they may be visible when the door is open.

For a built-in installation, to cover gaps between the appliance and the adjacent cabinets, special side profiles are factory-installed and covering frames are provided with the product.

For panel ready columns, do not exceed the maximum weight of 34 kg (75 pounds) for door panel. Panel can have thickness ranging between 19mm (3/4") and 28mm (1 1/8").

For instructions of product combinations please see the Multiple Installation Section (page 58).

CABINET REQUIREMENT

Installation of the appliance must be performed in accordance with the provisions of applicable legislation.

Be sure that support of this appliance is perpendicular to the front facing of the wall or cabinet before you perform the installation.

The floor must be flat and must be capable of supporting the weight of the appliance when in use.

Required floor support	570 kg (1257 lb)
-------------------------------	------------------

ELECTRICAL REQUIREMENT

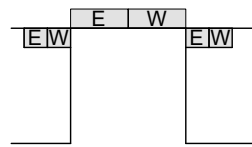
The installation must comply with all applicable electrical codes. A properly - grounded horizontally - mounted electrical receptacle should be installed.

Place the electrical supply flush with the back wall and within the shaded area shown in the illustrations.

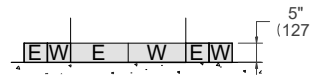
Placement within the opening may require additional cabinet depth.

For detailed installation specifications consult the multiple installation requirements page or each single product installation manual.

TOP VIEW



FRONT VIEW



A separate circuit breaker servicing only this appliance is recommended.

Electrical supply	220-240 V 50/60 Hz 275 W 1,5 Amp
Service	10 Amp dedicated circuit
Power Connection	2-pole 220V SCHUKO plug with 2m power cord

PLUMBING REQUIREMENTS

Bertazzoni Freezer Columns are provided with a water filter assembly which must be mounted outside the unit. The appliance must be connected only to a potable water supply system.

To connect to water supply system (for appliances equipped with ice maker) a 6,4mm (1/4") waterline with accessible shut-off valve must be supplied.

The solenoid connection on the appliance is 19mm (3/4") diameter but is metric threaded (NPT).

The system pressure must be between from 8 PSI to 75 PSI (between 0.5 bar and 5 bar). Different pressures can cause malfunctions or leaks in the water system.

For information on how to purchase the water filter, please see Use and Maintenance Manual.

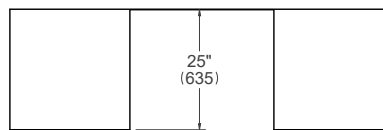
Dimensions in parentheses are millimeters unless otherwise specified.

75cm (30") Freezer Column Panel Ready

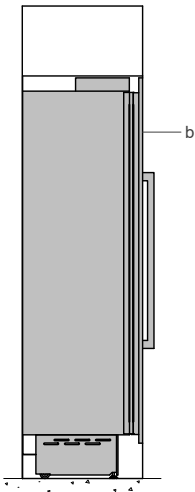
Flush installation



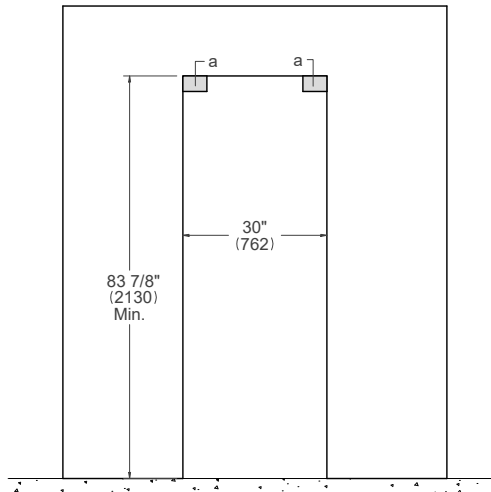
TOP VIEW^b



SIDE VIEW



FRONT VIEW



- (a) Area to be left clear for the anti-tipping brackets – 82x127mm (3"1/2x5")
- (b) Panel dimensions available on Built-in Food Preservation Design Guide or Installation Manual

Dimensions in parentheses are millimeters unless otherwise specified.

b: depth includes kitchen cabinet front panel.

60cm (24") Freezer Column Panel Installed

Dimensions



FRZ605UBLXTT (left hinge)
FRZ605UBRXTT (right hinge)

Handle choices

Professional Series: PROHKCOL

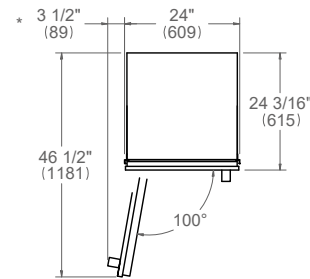
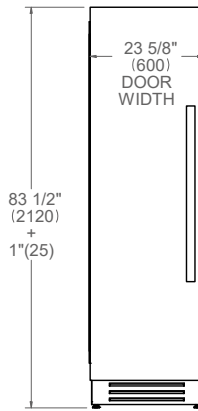
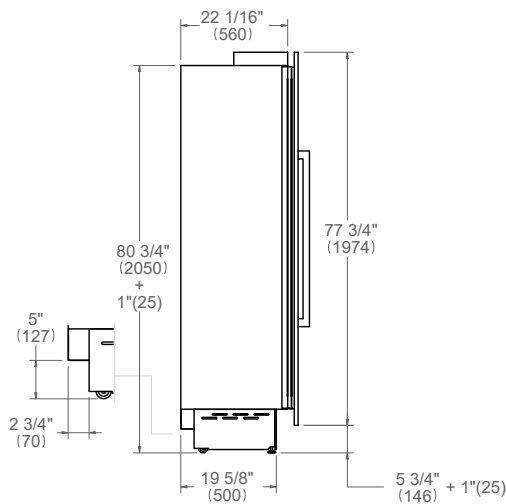
Master series: MASHKCOL

Heritage Series: HERHKCOL

SIDE VIEW

FRONT VIEW

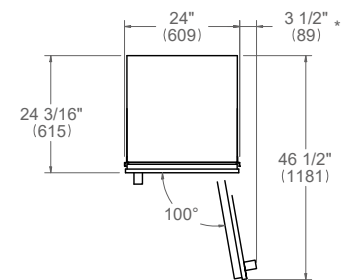
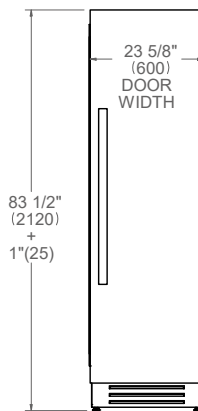
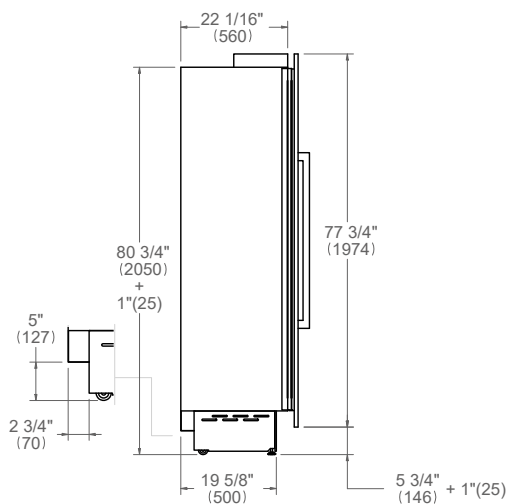
TOP VIEW



SIDE VIEW

FRONT VIEW

TOP VIEW



* Maximum Overall Handle Dimension
For detailed handle dimensions see page 71

Dimensions in parentheses are millimeters unless otherwise specified.

60cm (24") Freezer Column Panel Installed

Installation requirements



INSTALLATION

All Bertazzoni columns can be installed in a standard 635mm (25") depth cutout.

Finish the edges of the opening because they may be visible when the door is open.

For a built-in installation, to cover gaps between the appliance and the adjacent cabinets, special side profiles are factory-installed and covering frames are provided with the product..

For instructions of product combinations please see the Multiple Installation Section (page 58).

CABINET REQUIREMENT

Installation of the appliance must be performed in accordance with the provisions of applicable legislation.

Be sure that support of this appliance is perpendicular to the front facing of the wall or cabinet before you perform the installation.

The floor must be flat and must be capable of supporting the weight of the appliance when in use.

Required floor support	450 kg (992 lb)
-------------------------------	-----------------

ELECTRICAL REQUIREMENT

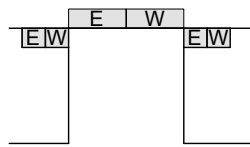
The installation must comply with all applicable electrical codes. A properly - grounded horizontally - mounted electrical receptacle should be installed.

Place the electrical supply flush with the back wall and within the shaded area shown in the illustrations.

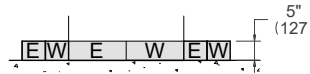
Placement within the opening may require additional cabinet depth.

For detailed installation specifications consult the multiple installation requirements page or each single product installation manual.

TOP VIEW



FRONT VIEW



A separate circuit breaker servicing only this appliance is recommended.

Electrical supply	220-240 V 50/60 Hz 275 W 1,5 Amp
Service	10 Amp dedicated circuit
Power Connection	2-pole 220V SCHUKO plug with 2m power cord

PLUMBING REQUIREMENTS

Bertazzoni Freezer Columns are provided with a water filter assembly which must be mounted outside the unit. The appliance must be connected only to a potable water supply system.

To connect to water supply system (for appliances equipped with ice maker) a 6,4mm (1/4") waterline with accessible shut-off valve must be supplied.

The solenoid connection on the appliance is 19mm (3/4") diameter but is metric threaded (NPT).

The system pressure must be between from 8 PSI to 75 PSI (between 0.5 bar and 5 bar). Different pressures can cause malfunctions or leaks in the water system.

For information on how to purchase the water filter, please see Use and Maintenance Manual.

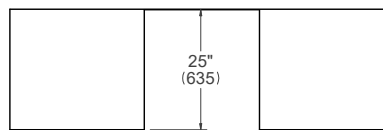
Dimensions in parentheses are millimeters unless otherwise specified.

60cm (24") Freezer Column Panel Installed

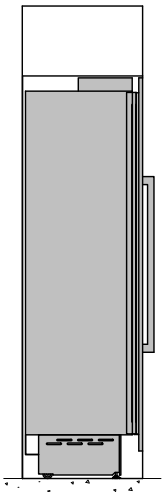
Flush installation



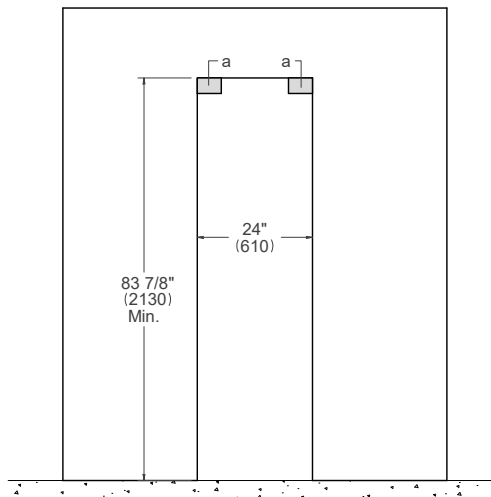
TOP VIEW^b



SIDE VIEW



FRONT VIEW



(a) Area to be left clear for the anti-tipping brackets – 82x127mm (3"1/2x5")

Dimensions in parentheses are millimeters unless otherwise specified.

b: depth includes kitchen cabinet front panel.

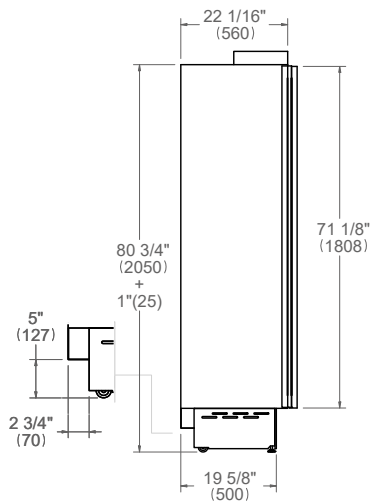
60cm (24") Freezer Column Panel Ready

Dimensions

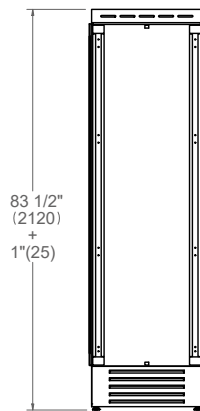


FRZ605UBLPTT (left hinge)
FRZ605UBRPTT (right hinge)

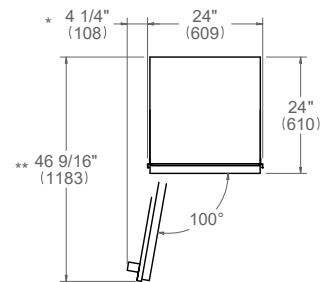
SIDE VIEW



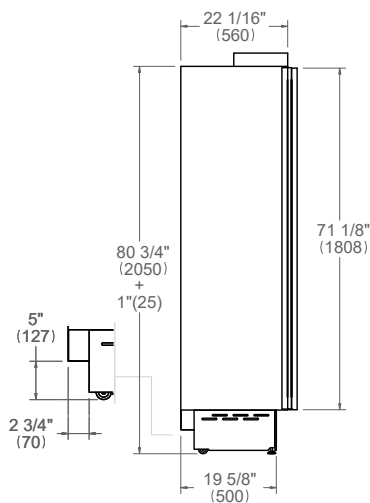
FRONT VIEW



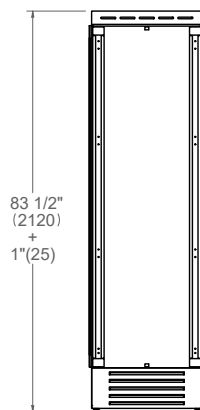
TOP VIEW



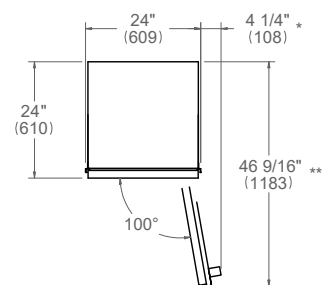
SIDE VIEW



FRONT VIEW



TOP VIEW



* Maximum Overall Handle Dimension
** Width of 19mm (3/4") Door Panel
For detailed handle dimensions see page 71

Dimensions in parentheses are millimeters unless otherwise specified.

60cm (24") Freezer Column Panel Ready

Installation requirements



INSTALLATION

All Bertazzoni columns can be installed in a standard 635mm (25") depth cutout.

Finish the edges of the opening because they may be visible when the door is open.

For a built-in installation, to cover gaps between the appliance and the adjacent cabinets, special side profiles are factory-installed and covering frames are provided with the product.

For panel ready columns, do not exceed the maximum weight of 34 kg (75 pounds) for door panel. Panel can have thickness ranging between 19mm (3/4") and 28mm (1 1/8").

For instructions of product combinations please see the Multiple Installation Section (page 58).

CABINET REQUIREMENT

Installation of the appliance must be performed in accordance with the provisions of applicable legislation.

Be sure that support of this appliance is perpendicular to the front facing of the wall or cabinet before you perform the installation.

The floor must be flat and must be capable of supporting the weight of the appliance when in use.

Required floor support	450 kg (992 lb)
-------------------------------	-----------------

ELECTRICAL REQUIREMENT

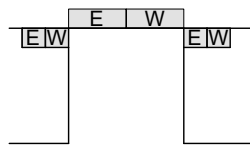
The installation must comply with all applicable electrical codes. A properly - grounded horizontally - mounted electrical receptacle should be installed.

Place the electrical supply flush with the back wall and within the shaded area shown in the illustrations.

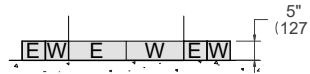
Placement within the opening may require additional cabinet depth.

For detailed installation specifications consult the multiple installation requirements page or each single product installation manual.

TOP VIEW



FRONT VIEW



A separate circuit breaker servicing only this appliance is recommended.

Electrical supply	220-240 V 50/60 Hz 275 W 1,5 Amp
Service	10 Amp dedicated circuit
Power Connection	2-pole 220V SCHUKO plug with 2m power cord

PLUMBING REQUIREMENTS

Bertazzoni Freezer Columns are provided with a water filter assembly which must be mounted outside the unit. The appliance must be connected only to a potable water supply system.

To connect to water supply system (for appliances equipped with ice maker) a 6,4mm (1/4") waterline with accessible shut-off valve must be supplied.

The solenoid connection on the appliance is 19mm (3/4") diameter but is metric threaded (NPT).

The system pressure must be between from 8 PSI to 75 PSI (between 0.5 bar and 5 bar). Different pressures can cause malfunctions or leaks in the water system.

For information on how to purchase the water filter, please see Use and Maintenance Manual.

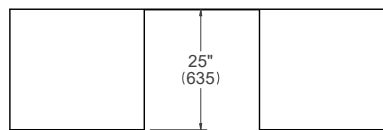
Dimensions in parentheses are millimeters unless otherwise specified.

60cm (24") Freezer Column Panel Ready

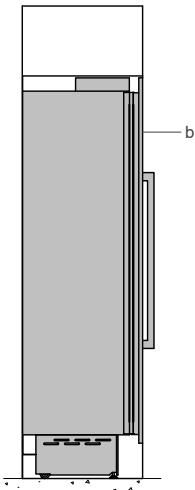
Flush installation



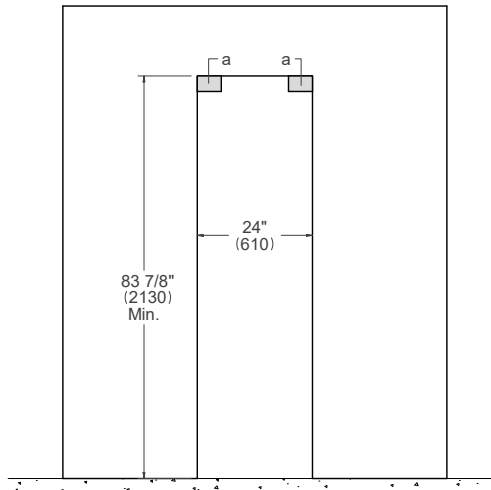
TOP VIEW^b



SIDE VIEW



FRONT VIEW



- (a) Area to be left clear for the anti-tipping brackets – 82x127mm (3"1/2x5")
- (b) Panel dimensions available on Built-in Food Preservation Design Guide or Installation Manual

Dimensions in parentheses are millimeters unless otherwise specified.

b: depth includes kitchen cabinet front panel.

45cm (18") Freezer Column Panel Installed

Dimensions



FRZ455UBLXTT (left hinge)
FRZ455UBRXTT (right hinge)

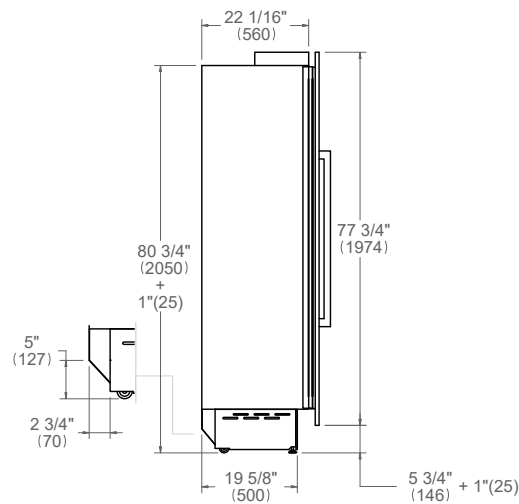
Handle choices

Professional Series: PROHKCOL

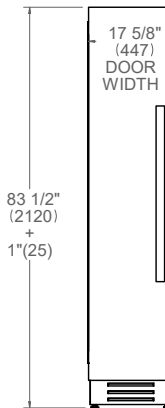
Master series: MASHKCOL

Heritage Series: HERHKCOL

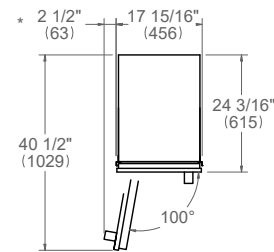
SIDE VIEW



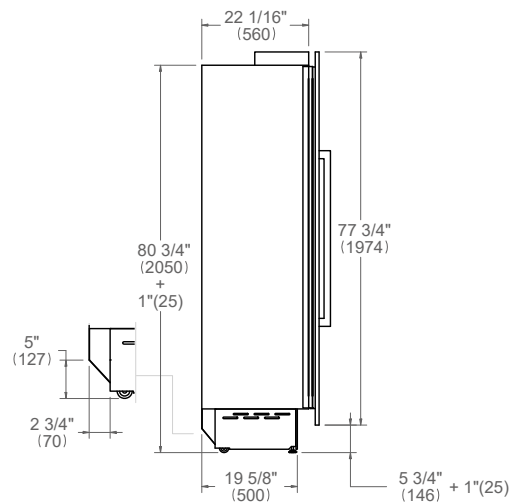
FRONT VIEW



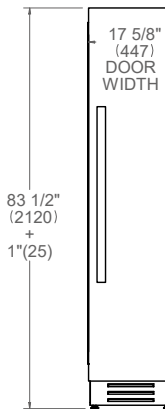
TOP VIEW



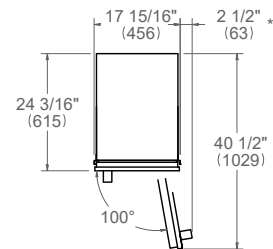
SIDE VIEW



FRONT VIEW



TOP VIEW



* Maximum Overall Handle Dimension
For detailed handle dimensions see page 71

Dimensions in parentheses are millimeters unless otherwise specified.

45cm (18") Freezer Column Panel Installed

Installation requirements



INSTALLATION

All Bertazzoni columns can be installed in a standard 635mm (25") depth cutout.

Finish the edges of the opening because they may be visible when the door is open.

For a built-in installation, to cover gaps between the appliance and the adjacent cabinets, special side profiles are factory-installed and covering frames are provided with the product.

For instructions of product combinations please see the Multiple Installation Section (page 58).

CABINET REQUIREMENT

Installation of the appliance must be performed in accordance with the provisions of applicable legislation.

Be sure that support of this appliance is perpendicular to the front facing of the wall or cabinet before you perform the installation.

The floor must be flat and must be capable of supporting the weight of the appliance when in use.

Required floor support	315 kg (694 lb)
-------------------------------	-----------------

ELECTRICAL REQUIREMENT

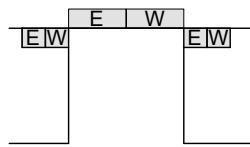
The installation must comply with all applicable electrical codes. A properly - grounded horizontally - mounted electrical receptacle should be installed.

Place the electrical supply flush with the back wall and within the shaded area shown in the illustrations.

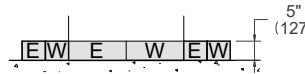
Placement within the opening may require additional cabinet depth.

For detailed installation specifications consult the multiple installation requirements page or each single product installation manual.

TOP VIEW



FRONT VIEW



A separate circuit breaker servicing only this appliance is recommended.

Electrical supply	220-240 V 50/60 Hz 275 W 1,5 Amp
Service	10 Amp dedicated circuit
Power Connection	2-pole 220V SCHUKO plug with 2m power cord

PLUMBING REQUIREMENTS

Bertazzoni Freezer Columns are provided with a water filter assembly which must be mounted outside the unit. The appliance must be connected only to a potable water supply system.

To connect to water supply system (for appliances equipped with ice maker) a 6,4mm (1/4") waterline with accessible shut-off valve must be supplied.

The solenoid connection on the appliance is 19mm (3/4") diameter but is metric threaded (NPT).

The system pressure must be between from 8 PSI to 75 PSI (between 0.5 bar and 5 bar). Different pressures can cause malfunctions or leaks in the water system.

For information on how to purchase the water filter, please see Use and Maintenance Manual.

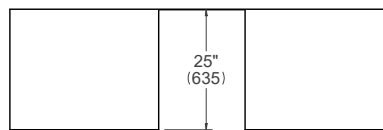
Dimensions in parentheses are millimeters unless otherwise specified.

45cm (18") Freezer Column Panel Installed

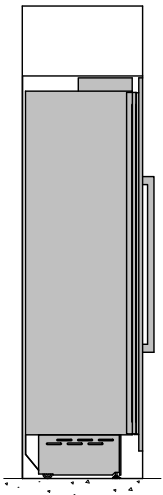
Flush installation



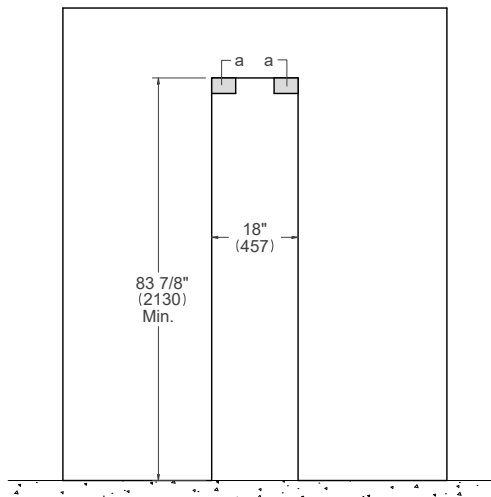
TOP VIEW^b



SIDE VIEW



FRONT VIEW



(a) Area to be left clear for the anti-tipping brackets – 82x127mm (3"1/2x5")

Dimensions in parentheses are millimeters unless otherwise specified.

b: depth includes kitchen cabinet front panel.

45cm (18") Freezer Column Panel Ready

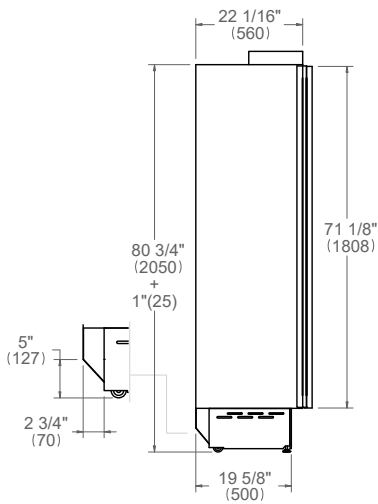


Dimensions

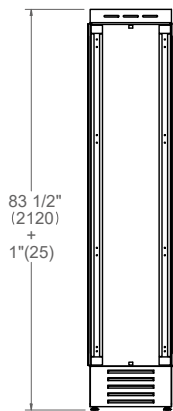
FRZ455UBLPTT (left hinge)

FRZ455UBRPTT (right hinge)

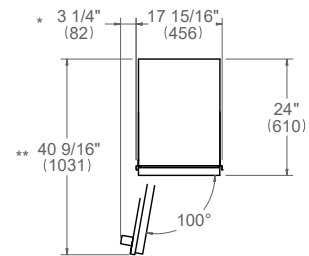
SIDE VIEW



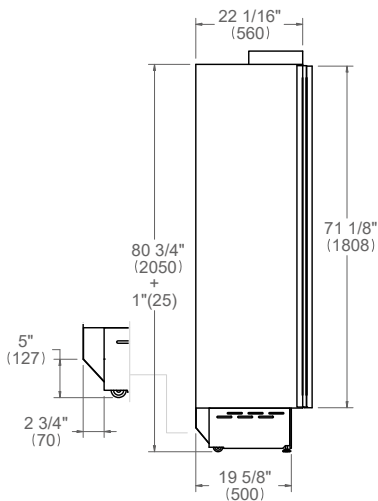
FRONT VIEW



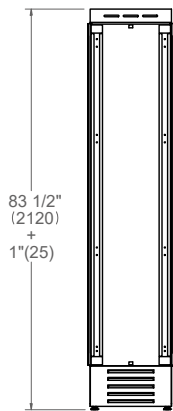
TOP VIEW



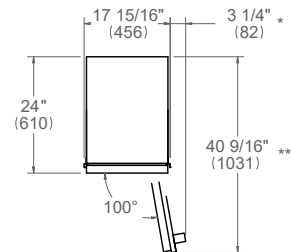
SIDE VIEW



FRONT VIEW



TOP VIEW



* Maximum Overall Handle Dimension
 ** Width of 19mm (3/4") Door Panel
 For detailed handle dimensions see page 71

Dimensions in parentheses are millimeters unless otherwise specified.

45cm (18") Freezer Column Panel Ready

Installation requirements



INSTALLATION

All Bertazzoni columns can be installed in a standard 635mm (25") depth cutout.

Finish the edges of the opening because they may be visible when the door is open.

For a built-in installation, to cover gaps between the appliance and the adjacent cabinets, special side profiles are factory-installed and covering frames are provided with the product. For panel ready columns, do not exceed the maximum weight of 34 kg (75 pounds) for door panel. Panel can have thickness ranging between 19mm (3/4") and 28mm (1 1/8").

For instructions of product combinations please see the Multiple Installation Section (page 58).

CABINET REQUIREMENT

Installation of the appliance must be performed in accordance with the provisions of applicable legislation.

Be sure that support of this appliance is perpendicular to the front facing of the wall or cabinet before you perform the installation.

The floor must be flat and must be capable of supporting the weight of the appliance when in use.

Required floor support	315 kg (694 lb)
-------------------------------	-----------------

ELECTRICAL REQUIREMENT

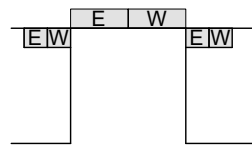
The installation must comply with all applicable electrical codes. A properly - grounded horizontally - mounted electrical receptacle should be installed.

Place the electrical supply flush with the back wall and within the shaded area shown in the illustrations.

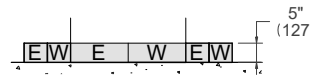
Placement within the opening may require additional cabinet depth.

For detailed installation specifications consult the multiple installation requirements page or each single product installation manual.

TOP VIEW



FRONT VIEW



A separate circuit breaker servicing only this appliance is recommended.

Electrical supply	220-240 V 50/60 Hz 275 W 1,5 Amp
Service	10 Amp dedicated circuit
Power Connection	2-pole 220V SCHUKO plug with 2m power cord

PLUMBING REQUIREMENTS

Bertazzoni Freezer Columns are provided with a water filter assembly which must be mounted outside the unit. The appliance must be connected only to a potable water supply system.

To connect to water supply system (for appliances equipped with ice maker) a 6,4mm (1/4") waterline with accessible shut-off valve must be supplied.

The solenoid connection on the appliance is 19mm (3/4") diameter but is metric threaded (NPT).

The system pressure must be between from 8 PSI to 75 PSI (between 0.5 bar and 5 bar). Different pressures can cause malfunctions or leaks in the water system.

For information on how to purchase the water filter, please see Use and Maintenance Manual.

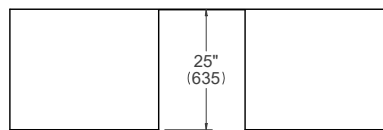
Dimensions in parentheses are millimeters unless otherwise specified.

45cm (18") Freezer Column Panel Ready

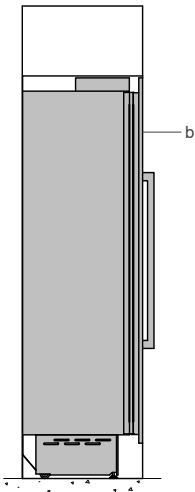
Flush installation



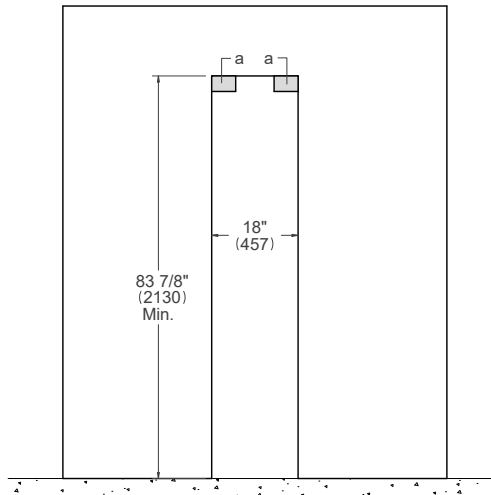
TOP VIEW^b



SIDE VIEW



FRONT VIEW



- (a) Area to be left clear for the anti-tipping brackets – 82x127mm (3"1/2x5")
- (b) Panel dimensions available on Built-in Food Preservation Design Guide or Installation Manual

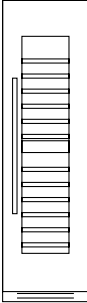
Dimensions in parentheses are millimeters unless otherwise specified.

b: depth includes kitchen cabinet front panel.

BUILT-IN WINE COLUMNS



60cm - 45cm
(24" - 18")
Panel Ready and
Panel Installed





FUNZIONI
+ 46°F
IMPOSTAZIONI
+ 41°F

60cm (24") Wine Column Panel Installed

Dimensions



WC605BLX2T (left hinge)
WC605BRX2T (right hinge)

Handle choices

Professional Series: PROHKCOL

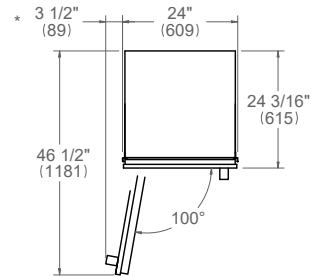
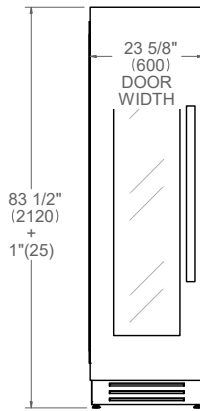
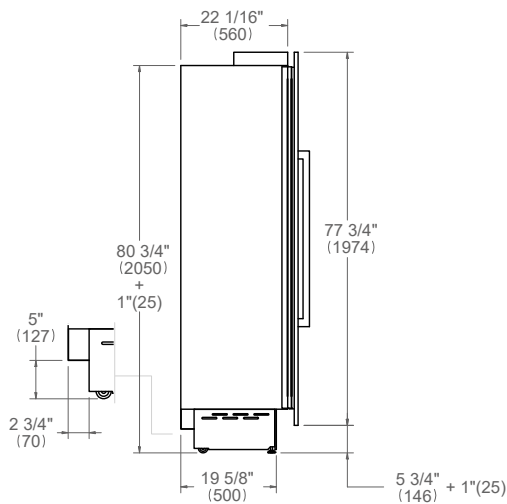
Master series: MASHKCOL

Heritage Series: HERHKCOL

SIDE VIEW

FRONT VIEW

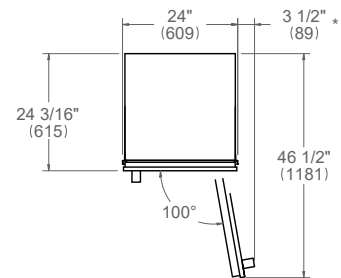
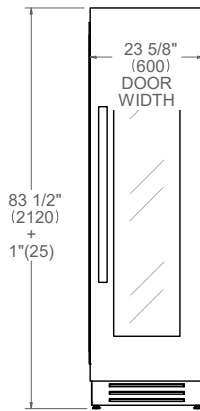
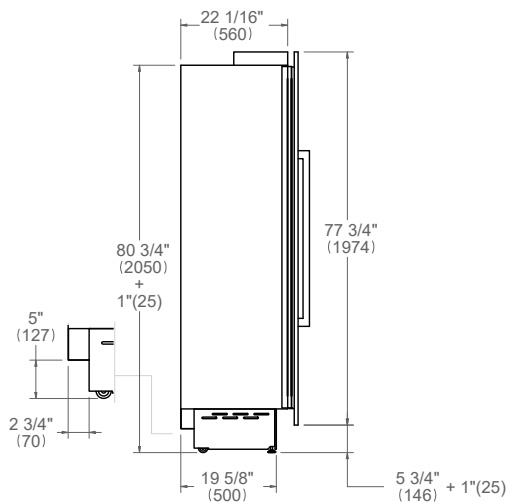
TOP VIEW



SIDE VIEW

FRONT VIEW

TOP VIEW



* Maximum Overall Handle Dimension
For detailed handle dimensions see page 71

Dimensions in parentheses are millimeters unless otherwise specified.

60cm (24") Wine Column Panel Installed

Installation requirements



INSTALLATION

All Bertazzoni columns can be installed in a standard 635mm (25") depth cutout.

Finish the edges of the opening because they may be visible when the door is open.

For a built-in installation, to cover gaps between the appliance and the adjacent cabinets, special side profiles are factory-installed and covering frames are provided with the product.

For instructions of product combinations please see the Multiple Installation Section (page 58).

CABINET REQUIREMENT

Installation of the appliance must be performed in accordance with the provisions of applicable legislation.

Be sure that support of this appliance is perpendicular to the front facing of the wall or cabinet before you perform the installation.

The floor must be flat and must be capable of supporting the weight of the appliance when in use.

Required floor support	450 kg (992 lb)
-------------------------------	-----------------

For detailed installation specifications consult the multiple installation requirements page or each single product installation manual.

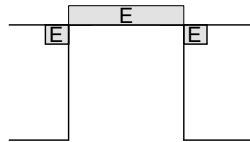
ELECTRICAL REQUIREMENT

The installation must comply with all applicable electrical codes. A properly - grounded horizontally - mounted electrical receptacle should be installed.

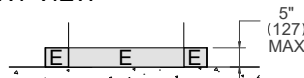
Place the electrical supply flush with the back wall and within the shaded area shown in the illustrations.

Placement within the opening may require additional cabinet depth.

TOP VIEW



FRONT VIEW



A separate circuit breaker servicing only this appliance is recommended.

Electrical supply	220-240 V 50/60 Hz 130 W 0,7 Amp
Service	10 Amp dedicated circuit
Power Connection	2-pole 220V SCHUKO plug with 2m power cord

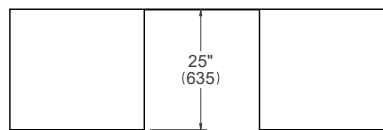
Dimensions in parentheses are millimeters unless otherwise specified.

60cm (24") Wine Column Panel Installed

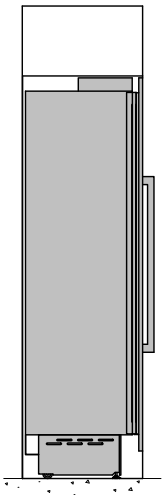
Flush installation



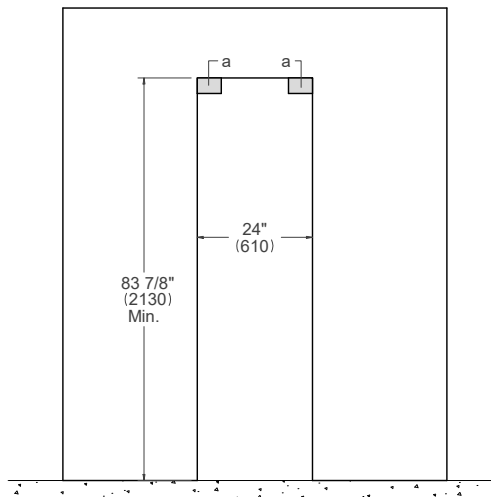
TOP VIEW^b



SIDE VIEW



FRONT VIEW



(a) Area to be left clear for the anti-tipping brackets – 82x127mm (3"1/2x5")

Dimensions in parentheses are millimeters unless otherwise specified.

b: depth includes kitchen cabinet front panel.

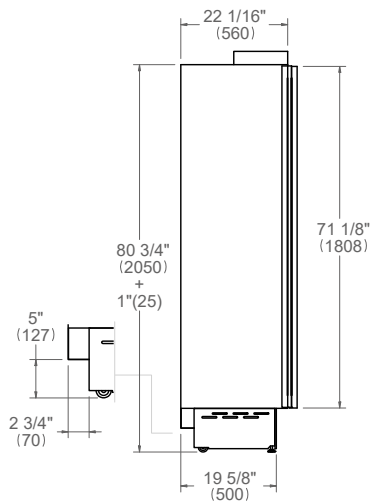
60cm (24") Wine Column Panel Ready

Dimensions

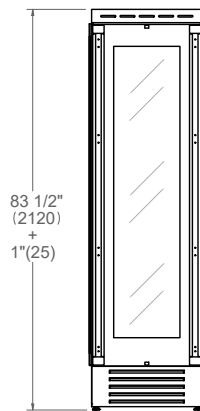


WC605BLP2T (left hinge)
WC605BRP2T (right hinge)

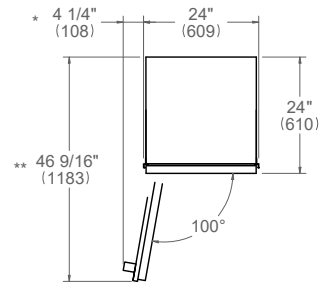
SIDE VIEW



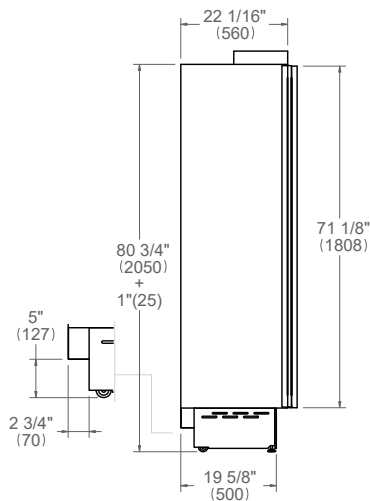
FRONT VIEW



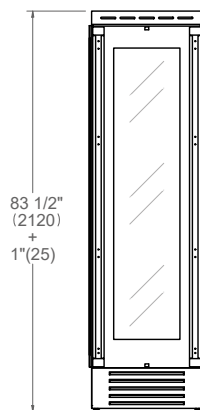
TOP VIEW



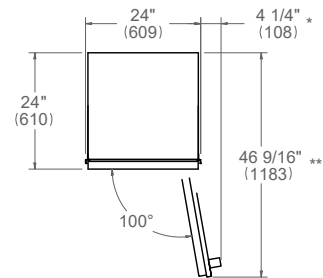
SIDE VIEW



FRONT VIEW



TOP VIEW



* Maximum Overall Handle Dimension
** Width of 19mm (3/4") Door Panel
For detailed handle dimensions see page 71

Dimensions in parentheses are millimeters unless otherwise specified.
For custom panel dimensions and window cutout see page 69.

60cm (24") Wine Column Panel Ready

Installation requirements



INSTALLATION

All Bertazzoni columns can be installed in a standard 635mm (25") depth cutout.

Finish the edges of the opening because they may be visible when the door is open.

For a built-in installation, to cover gaps between the appliance and the adjacent cabinets, special side profiles are factory-installed and covering frames are provided with the product.

For panel ready columns, do not exceed the maximum weight of 34 kg (75 pounds) for door panel. Panel can have thickness ranging between 19mm (3/4") and 28mm (1 1/8").

For instructions of product combinations please see the Multiple Installation Section (page).

CABINET REQUIREMENT

Installation of the appliance must be performed in accordance with the provisions of applicable legislation.

Be sure that support of this appliance is perpendicular to the front facing of the wall or cabinet before you perform the installation.

The floor must be flat and must be capable of supporting the weight of the appliance when in use.

Required floor support	450 kg (992 lb)
-------------------------------	-----------------

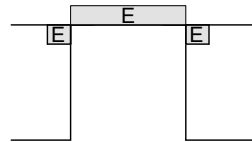
ELECTRICAL REQUIREMENT

The installation must comply with all applicable electrical codes. A properly - grounded horizontally - mounted electrical receptacle should be installed.

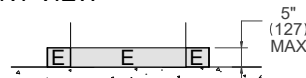
Place the electrical supply flush with the back wall and within the shaded area shown in the illustrations.

Placement within the opening may require additional cabinet depth.

TOP VIEW



FRONT VIEW



A separate circuit breaker servicing only this appliance is recommended.

Electrical supply	220-240 V 50/60 Hz 130 W 0,7 Amp
Service	10 Amp dedicated circuit
Power Connection	2-pole 220V SCHUKO plug with 2m power cord

For detailed installation specifications consult the multiple installation requirements page or each single product installation manual.

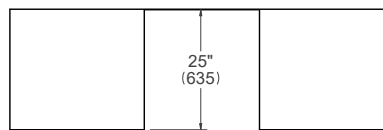
Dimensions in parentheses are millimeters unless otherwise specified.

60cm (24") Wine Column Panel Ready

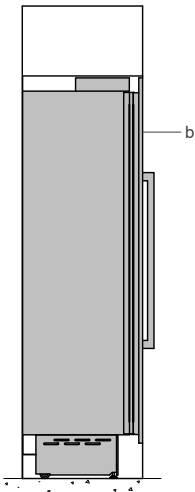
Flush installation



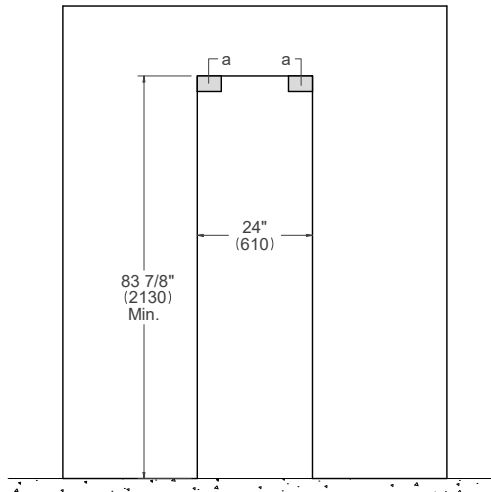
TOP VIEW^b



SIDE VIEW



FRONT VIEW



- (a) Area to be left clear for the anti-tipping brackets – 82x127mm (3"1/2x5")
- (b) Panel dimensions available on Built-in Food Preservation Design Guide or Installation Manual

Dimensions in parentheses are millimeters unless otherwise specified.

b: depth includes kitchen cabinet front panel.

45cm (18") Wine Column Panel Installed

Dimensions



WC455BLX2T (left hinge)
WC455BRX2T (right hinge)

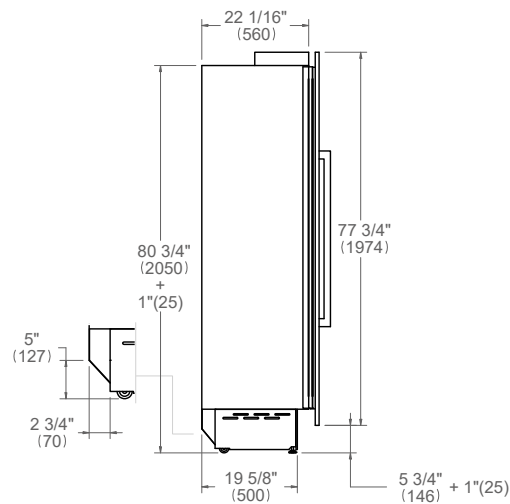
Handle choices

Professional Series: PROHKCOL

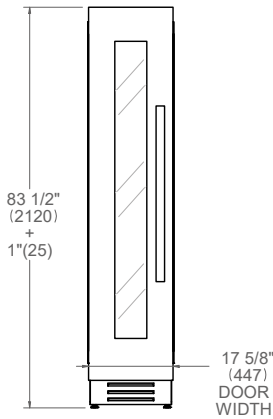
Master series: MASHKCOL

Heritage Series: HERHKCOL

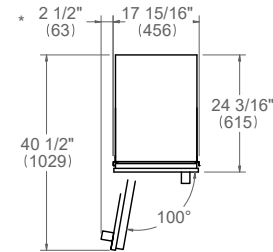
SIDE VIEW



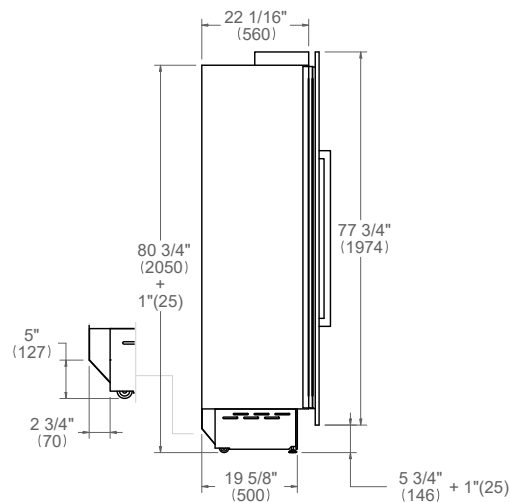
FRONT VIEW



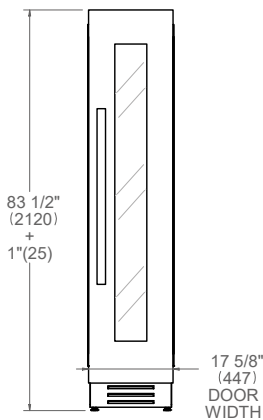
TOP VIEW



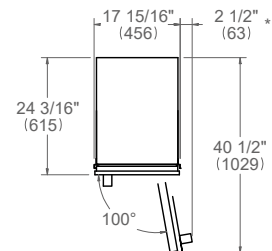
SIDE VIEW



FRONT VIEW



TOP VIEW



* Maximum Overall Handle Dimension
For detailed handle dimensions see page 71

Dimensions in parentheses are millimeters unless otherwise specified.

45cm (18") Wine Column Panel Installed

Installation requirements



INSTALLATION

All Bertazzoni columns can be installed in a standard 635mm (25") depth cutout.

Finish the edges of the opening because they may be visible when the door is open.

For a built-in installation, to cover gaps between the appliance and the adjacent cabinets, special side profiles are factory-installed and covering frames are provided with the product.

For instructions of product combinations please see the Multiple Installation Section (page 58).

CABINET REQUIREMENT

Installation of the appliance must be performed in accordance with the provisions of applicable legislation.

Be sure that support of this appliance is perpendicular to the front facing of the wall or cabinet before you perform the installation.

The floor must be flat and must be capable of supporting the weight of the appliance when in use.

Required floor support	315 kg (694 lb)
-------------------------------	-----------------

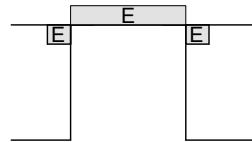
ELECTRICAL REQUIREMENT

The installation must comply with all applicable electrical codes. A properly - grounded horizontally - mounted electrical receptacle should be installed.

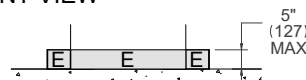
Place the electrical supply flush with the back wall and within the shaded area shown in the illustrations.

Placement within the opening may require additional cabinet depth.

TOP VIEW



FRONT VIEW



A separate circuit breaker servicing only this appliance is recommended.

Electrical supply	220-240 V 50/60 Hz 130 W 0,7 Amp
Service	10 Amp dedicated circuit
Power Connection	2-pole 220V SCHUKO plug with 2m power cord

For detailed installation specifications consult the multiple installation requirements page or each single product installation manual.

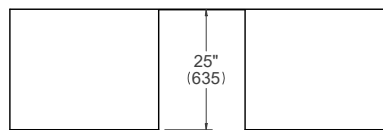
Dimensions in parentheses are millimeters unless otherwise specified.

45cm (18") Wine Column Panel Installed

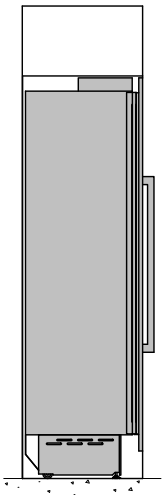
Flush installation



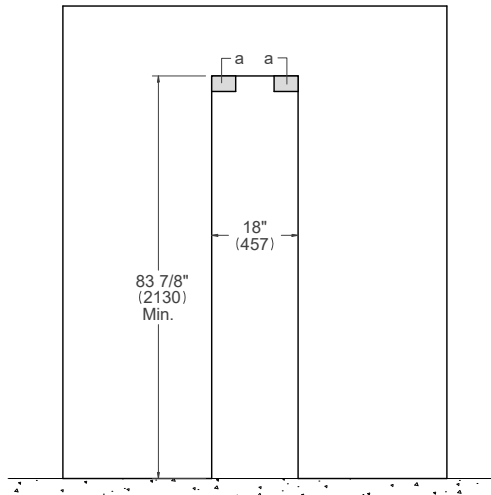
TOP VIEW^b



SIDE VIEW



FRONT VIEW



(a) Area to be left clear for the anti-tipping brackets – 82x127mm (3"1/2x5")

Dimensions in parentheses are millimeters unless otherwise specified.

b: depth includes kitchen cabinet front panel.

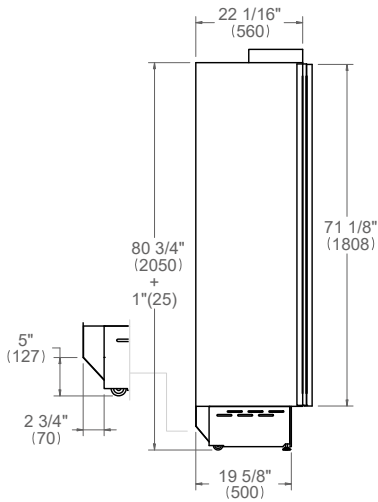
45cm (18") Wine Column Panel Ready

Dimensions

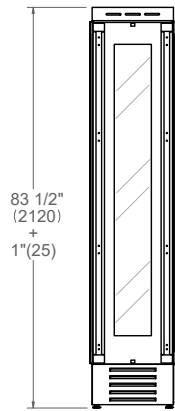


WC455BLP2T (left hinge)
WC455BRP2T (right hinge)

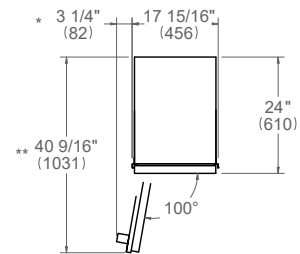
SIDE VIEW



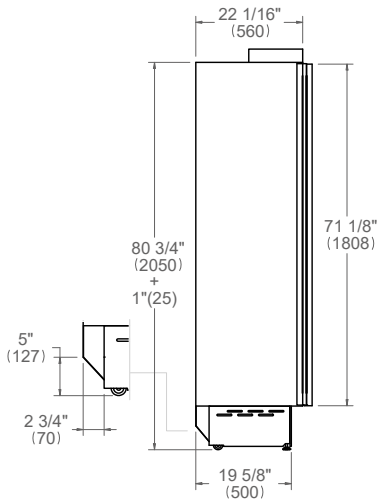
FRONT VIEW



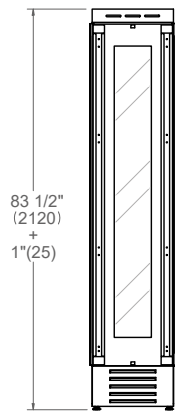
TOP VIEW



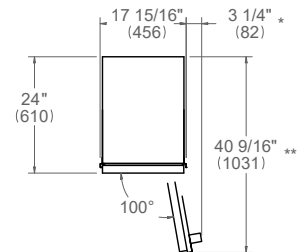
SIDE VIEW



FRONT VIEW



TOP VIEW



* Maximum Overall Handle Dimension
** Width of 19mm (3/4") Door Panel
For detailed handle dimensions see page 71

Dimensions in parentheses are millimeters unless otherwise specified.
For custom panel dimensions and window cutout see page 69.

45cm (18") Wine Column Panel Ready

Installation requirements



INSTALLATION

All Bertazzoni columns can be installed in a standard 635mm (25") depth cutout.

Finish the edges of the opening because they may be visible when the door is open.

For a built-in installation, to cover gaps between the appliance and the adjacent cabinets, special side profiles are factory-installed and covering frames are provided with the product.

For panel ready columns, do not exceed the maximum weight of 34 kg (75 pounds) for door panel. Panel can have thickness ranging between 19mm (3/4") and 28mm (1 1/8").

For instructions of product combinations please see the Multiple Installation Section (page 58).

CABINET REQUIREMENT

Installation of the appliance must be performed in accordance with the provisions of applicable legislation.

Be sure that support of this appliance is perpendicular to the front facing of the wall or cabinet before you perform the installation.

The floor must be flat and must be capable of supporting the weight of the appliance when in use.

Required floor support	315 kg (694 lb)
-------------------------------	-----------------

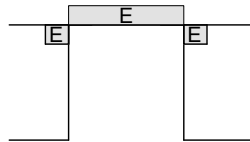
ELECTRICAL REQUIREMENT

The installation must comply with all applicable electrical codes. A properly - grounded horizontally - mounted electrical receptacle should be installed.

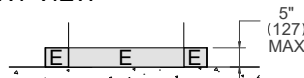
Place the electrical supply flush with the back wall and within the shaded area shown in the illustrations.

Placement within the opening may require additional cabinet depth.

TOP VIEW



FRONT VIEW



A separate circuit breaker servicing only this appliance is recommended.

Electrical supply	220-240 V 50/60 Hz 130 W 0,7 Amp
Service	10 Amp dedicated circuit
Power Connection	2-pole 220V SCHUKO plug with 2m power cord

For detailed installation specifications consult the multiple installation requirements page or each single product installation manual.

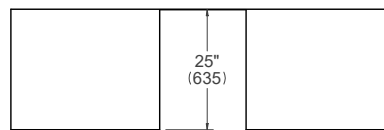
Dimensions in parentheses are millimeters unless otherwise specified.

45cm (18") Wine Column Panel Ready

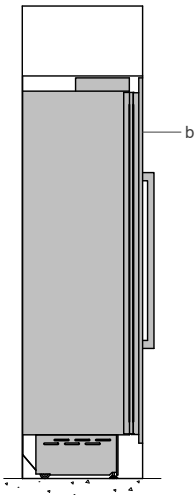
Flush installation



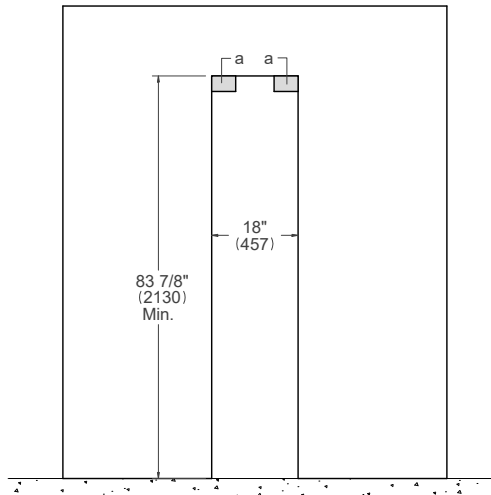
TOP VIEW^b



SIDE VIEW



FRONT VIEW



- (a) Area to be left clear for the anti-tipping brackets – 82x127mm (3"1/2x5")
- (b) Panel dimensions available on Built-in Food Preservation Design Guide or Installation Manual

Dimensions in parentheses are millimeters unless otherwise specified.

b: depth includes kitchen cabinet front panel.

MULTIPLE INSTALLATIONS





Multiple installations

Installation requirements



INSTALLATION

All Bertazzoni columns can be installed in a standard 635mm (25") depth cutout.

Finish the edges of the opening because they may be visible when the door is open.

For a built-in installation, to cover gaps between the appliances and the adjacent cabinets, special side profiles are factory-installed and covering frames are provided with the product.

For panel ready columns, do not exceed the maximum weight of 34 kg (75 pounds) for door panel. Panel can have thickness ranging between 19mm (3/4") and 28mm (1 1/8").

For instructions of product combinations please see the Multiple Installation Section (page 58).

CABINET REQUIREMENT

Installation of the appliances must be performed in accordance with the provisions of applicable legislation. Be sure that support of these appliances is perpendicular to the front facing of the wall or cabinet before you perform the installation.

The floor must be flat and must be capable of supporting the weight of all the appliances when in use. Please see any single product installation manual for required floor support.

ELECTRICAL REQUIREMENT

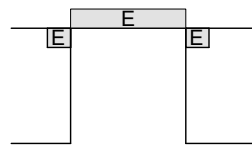
The installation must comply with all applicable electrical codes. A properly - grounded horizontally - mounted electrical receptacle should be installed.

Place the electrical supply flush with the back wall and within the shaded area shown in the illustrations.

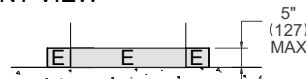
Placement within the opening may require additional cabinet depth.

For detailed installation specifications consult the multiple installation requirements page or each single product installation manual.

TOP VIEW



FRONT VIEW



A separate 10 Amp circuit breaker servicing only these appliances is recommended.

PLUMBING REQUIREMENTS

Bertazzoni Freezer Columns are provided with a water filter assembly which must be mounted outside the unit. The appliance must be connected only to a potable water supply system.

To connect to water supply system (for appliances equipped with ice maker) a 6,4mm (1/4") waterline with accessible shut-off valve must be supplied.

The solenoid connection on the appliance is 19mm (3/4") diameter but is metric threaded (NPT).

The system pressure must be between from 8 PSI to 75 PSI (between 0.5 bar and 5 bar). Different pressures can cause malfunctions or leaks in the water system.

For information on how to purchase the water filter, please see Use and Maintenance Manual.

Dimensions in parentheses are millimeters unless otherwise specified.

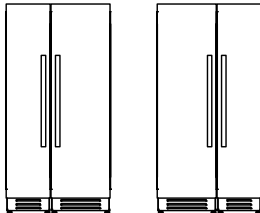
105cm (42") Double Configurations

Flush installation

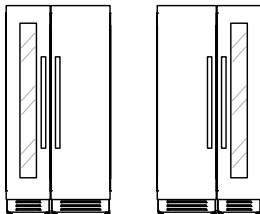


POSSIBLE COMBINATIONS ^c

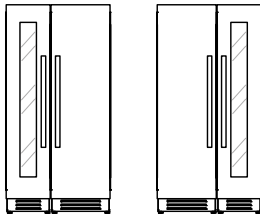
LRD605UBRXTT
FRZ455UBLXTT
LRD605UBLXTT
FRZ455UBRXTT
LRD605UBRP2T
FRZ455UBLP2T
LRD605UBLPTT
FRZ455UBRP2T



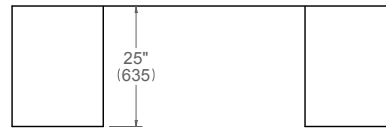
LRD605UBRXTT
WC455BLX2T
LRD605UBLXTT
WC455BRX2T
LRD605UBRP2T
WC455BLP2T
LRD605UBLPTT
WC455BRP2T



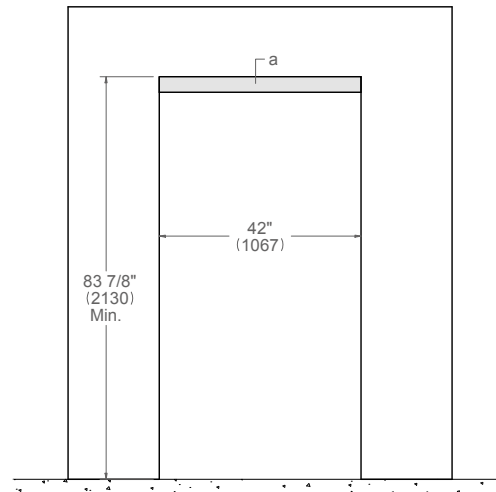
FRZ605UBRXTT
WC455BLX2T
FRZ605UBLXTT
WC455BRX2T
FRZ605UBRP2T
WC455BLP2T
FRZ605UBLPTT
WC455BRP2T



TOP VIEW ^b



FRONT VIEW



- (a) Spacers - Included with appliance
- (b) All Freezer and Wine Columns are supplied with a vertical connector trim for multiple columns installations. No addition accessories are needed

Dimensions in parentheses are millimeters unless otherwise specified.

b: depth includes kitchen cabinet front panel.

c: Optional 105cm (42 inch) bridge toe kick accessory is available. For details see page 72

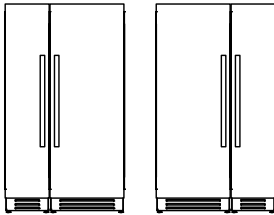
120cm (48") Double Configurations

Flush installation

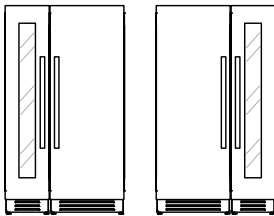


POSSIBLE COMBINATIONS ^c

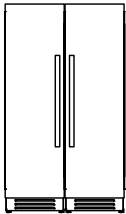
LRD755UBRXTT
FRZ455UBLXTT
LRD755UBLXTT
FRZ455UBRXTT
LRD755UBRP2T
FRZ455UBLP2T
LRD755UBLPTT
FRZ455UBRP2T



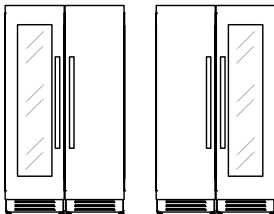
LRD755UBRXTT
WC455BLX2T
LRD755UBLXTT
WC455BRX2T
LRD755UBRP2T
WC455BLP2T
LRD755UBLPTT
WC455BRP2T



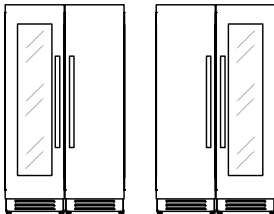
LRD605UBRXTT
FRZ605UBLXTT
LRD605UBLXTT
FRZ605UBRXTT
LRD605UBRP2T
FRZ605UBLP2T
LRD605UBLPTT
FRZ605UBRP2T



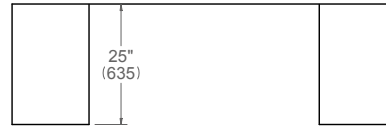
LRD605UBRXTT
WC605BLX2T
LRD605UBLXTT
WC605BRX2T
LRD605UBRP2T
WC605BLP2T
LRD605UBLPTT
WC605BRP2T



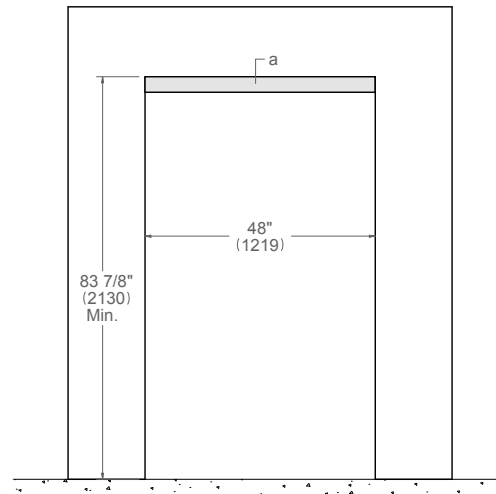
FRZ605UBLXTT
WC605BRX2T
FRZ605UBRXTT
WC605BLX2T
FRZ605UBLPTT
WC605BRP2T
FRZ605UBRP2T
WC605BLP2T



TOP VIEW ^b



FRONT VIEW



- (a) Spacers - Included with appliance
- (b) All Freezer and Wine Columns are supplied with a vertical connector trim for multiple columns installations. No addition accessories are needed

Dimensions in parentheses are millimeters unless otherwise specified.

b: depth includes kitchen cabinet front panel.

c: Optional 120cm (48 inch) bridge toe kick accessory is available.

For details see page 72

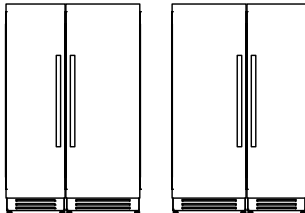
135cm (54") Double Configurations

Flush installation

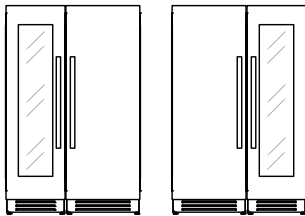


POSSIBLE COMBINATIONS ^c

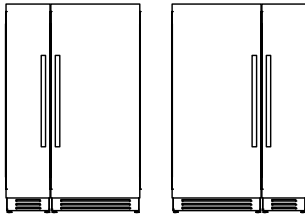
LRD755UBRXTT
FRZ605UBLXTT
LRD755UBLXTT
FRZ605UBRXTT
LRD755UBRP2T
FRZ605UBLPTT
LRD755UBLPTT
FRZ605UBRP2T



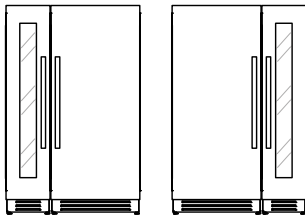
LRD755UBRXTT
WC605BLX2T
LRD755UBLXTT
WC605BRX2T
LRD755UBRP2T
WC605BLP2T
LRD755UBLPTT
WC605BRP2T



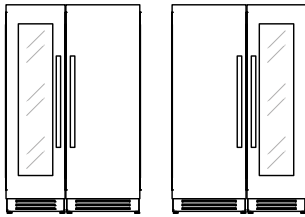
LRD905UBRXTT
FRZ455UBLXTT
LRD905UBLXTT
FRZ455UBRXTT
LRD905UBRP2T
FRZ455UBLPTT
LRD905UBLPTT
FRZ455UBRP2T



LRD905UBRXTT
WC455BLX2T
LRD905UBLXTT
WC455BRX2T
LRD905UBRP2T
WC455BLP2T
LRD905UBLPTT
WC455BRP2T



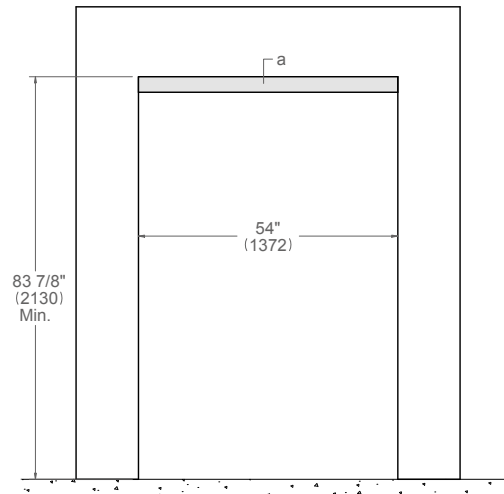
FRZ755UBRXTT
WC605BLX2T
FRZ755UBLXTT
WC605BRX2T
FRZ755UBRP2T
WC605BLP2T
FRZ755UBLPTT
WC605BRP2T



TOP VIEW ^b



FRONT VIEW



- (a) Spacers - Included with appliance
- (b) All Freezer and Wine Columns are supplied with a vertical connector trim for multiple columns installations. No addition accessories are needed

Dimensions in parentheses are millimeters unless otherwise specified.
b: depth includes kitchen cabinet front panel.

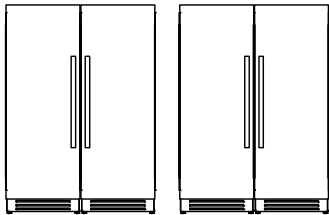
150cm (60") Double Configurations

Flush installation

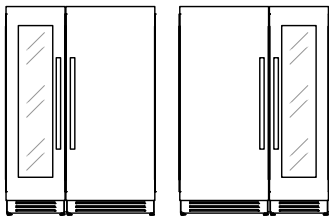


POSSIBLE COMBINATIONS ^c

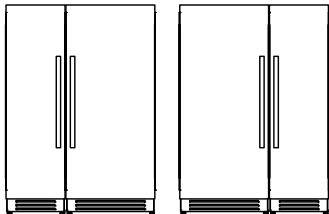
LRD755UBRXTT
FRZ755UBLXTT
LRD755UBLXTT
FRZ755UBRXTT
LRD755UBRP2T
FRZ755UBLP2T
LRD755UBLP2T
FRZ755UBRP2T



LRD905UBRXTT
WC605BLX2T
LRD905UBLXTT
WC605BRX2T
LRD905UBRP2T
WC605BLP2T
LRD905UBLP2T
WC605BRP2T



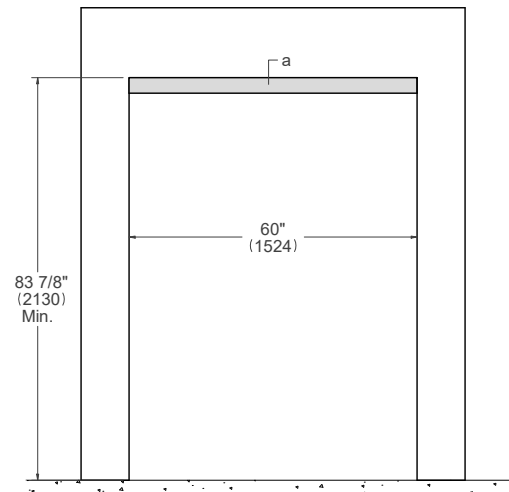
LRD905UBRXTT
FRZ605UBLXTT
LRD905UBLXTT
FRZ605UBRXTT
LRD905UBRP2T
FRZ605UBLP2T
LRD905UBLP2T
FRZ605UBRP2T



TOP VIEW ^b



FRONT VIEW



- (a) Spacers - Included with appliance
- (b) All Freezer and Wine Columns are supplied with a vertical connector trim for multiple columns installations. No addition accessories are needed

Dimensions in parentheses are millimeters unless otherwise specified.

b: depth includes kitchen cabinet front panel.

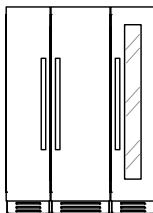
150cm (60") Triple Configurations

Flush installation

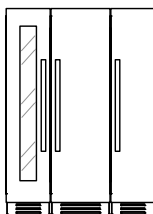


POSSIBLE COMBINATIONS ^c

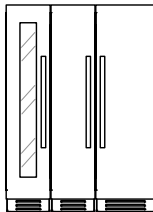
LRD605UBRXTT
FRZ455UBLXTT
WC455BRX2T
LRD605UBRP2T
FRZ455UBLP2T
WC455BRP2T



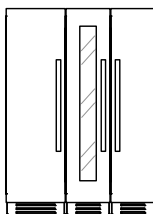
LRD605UBRXTT
FRZ455UBRXTT
WC455BLX2T
LRD605UBRP2T
FRZ455UBRP2T
WC455BLP2T



LRD605UBRXTT
FRZ455UBRXTT
WC455BLX2T
LRD605UBRP2T
FRZ455UBRP2T
WC455BLP2T



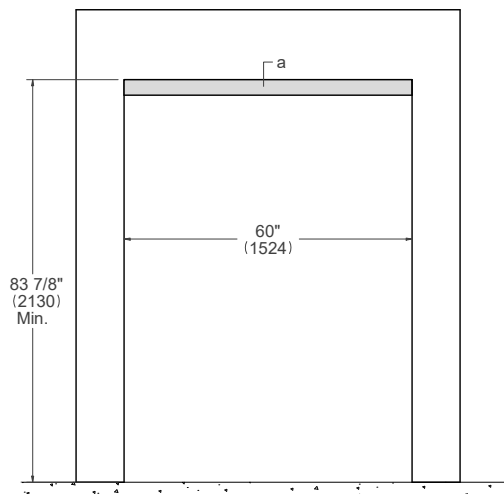
LRD605UBLXTT
FRZ455UBRXTT
WC455BLX2T
LRD605UBLP2T
FRZ455UBRP2T
WC455BLP2T



TOP VIEW ^b



FRONT VIEW



- (a) Spacers - Included with appliance
- (b) All Freezer and Wine Columns are supplied with a vertical connector trim for multiple columns installations. No addition accessories are needed

Dimensions in parentheses are millimeters unless otherwise specified.
b: depth includes kitchen cabinet front panel.

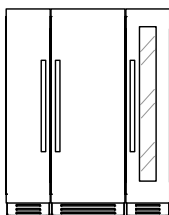
165cm (66") Triple Configurations

Flush installation

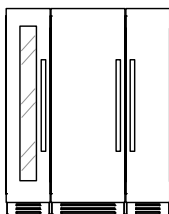


POSSIBLE COMBINATIONS ^c

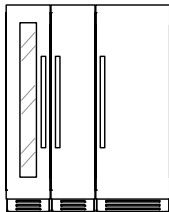
LRD755UBRXTT
FRZ455UBLXTT
WC455BRX2T
LRD755UBRP2T
FRZ455UBLPTT
WC455BRP2T



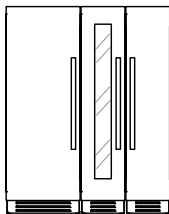
LRD755UBLXTT
FRZ455UBRXTT
WC455BLX2T
LRD755UBLPTT
FRZ455UBRP2T
WC455BLP2T



LRD755UBRXTT
FRZ455UBRXTT
WC455BLX2T
LRD755UBRP2T
FRZ455UBRP2T
WC455BLP2T



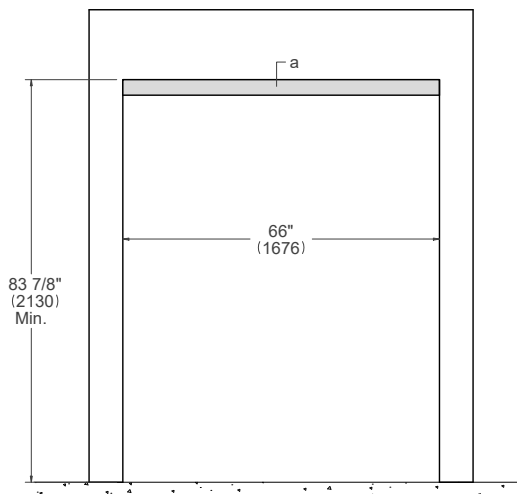
LRD755UBLXTT
FRZ455UBRXTT
WC455BLX2T
LRD755UBLPTT
FRZ455UBRP2T
WC455BLP2T



TOP VIEW ^b



FRONT VIEW



- (a) Spacers - Included with appliance
- (b) All Freezer and Wine Columns are supplied with a vertical connector trim for multiple columns installations. No addition accessories are needed

Dimensions in parentheses are millimeters unless otherwise specified.
b: depth includes kitchen cabinet front panel.

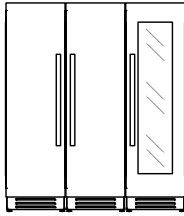
180cm (72") Triple Configurations

Flush installation

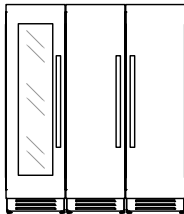


POSSIBLE COMBINATIONS ^c

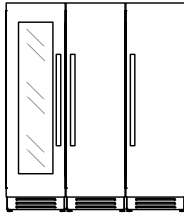
LRD605UBLXTT
FRZ605UBRXTT
WC605BRX2T
LRD605UBLPTT
FRZ605UBRPTT
WC605BRP2T



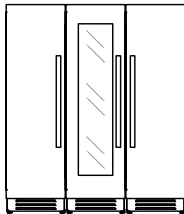
LRD605UBRXTT
FRZ605UBLXTT
WC605BLX2T
LRD605UBRPTT
FRZ605UBLPTT
WC605BLP2T



LRD605UBRXTT
FRZ605UBRXTT
WC605BLX2T
LRD605UBRPTT
FRZ605UBRPTT
WC605BLP2T



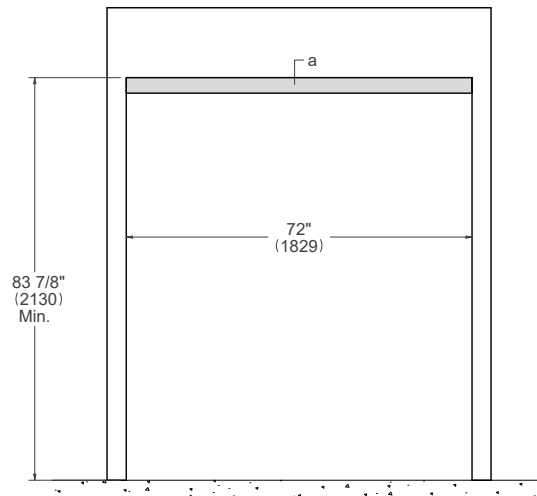
LRD605UBRXTT
FRZ605UBLXTT
WC605BLX2T
LRD605UBRPTT
FRZ605UBLPTT
WC605BLP2T



TOP VIEW ^b



FRONT VIEW



- (a) Spacers - Included with appliance
- (b) All Freezer and Wine Columns are supplied with a vertical connector trim for multiple columns installations. No addition accessories are needed

Dimensions in parentheses are millimeters unless otherwise specified.

b: depth includes kitchen cabinet front panel.

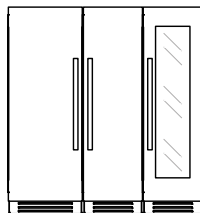
195cm (78") Triple Configurations

Flush installation

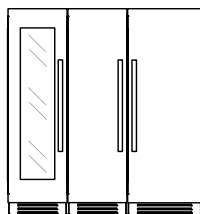


POSSIBLE COMBINATIONS ^c

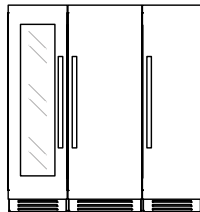
LRD755UBLXTT
FRZ605UBRXTT
WC605BRX2T



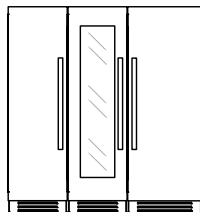
LRD755UBRXTT
FRZ605UBLXTT
WC605BLX2T



LRD755UBRXTT
FRZ605UBRXTT
WC605BLX2T



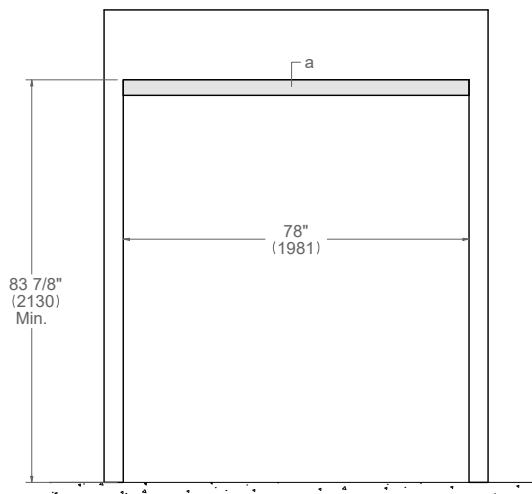
LRD755UBRXTT
FRZ605UBLXTT
WC605BLX2T



TOP VIEW ^b



FRONT VIEW



- (a) Spacers - Included with appliance
- (b) All Freezer and Wine Columns are supplied with a vertical connector trim for multiple columns installations. No addition accessories are needed

Dimensions in parentheses are millimeters unless otherwise specified.
b: depth includes kitchen cabinet front panel.

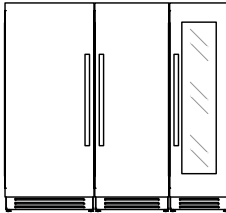
225 cm (90") Triple Configurations

Flush installation

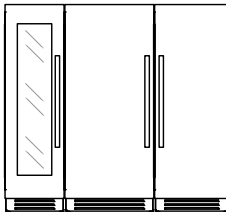


POSSIBLE COMBINATIONS ^c

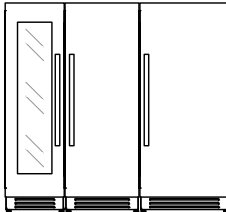
LRD905UBLXTT
FRZ755UBRXTT
WC605BRX2T
LRD905UBLPTT
FRZ755UBRPTT
WC605BRP2T



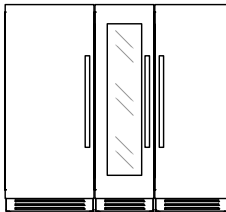
LRD905UBLXTT
FRZ755UBRXTT
WC605BLX2T
LRD905UBLPTT
FRZ755UBRPTT
WC605BLP2T



LRD905UBRXTT
FRZ755UBRXTT
WC605BLX2T
LRD905UBRPTT
FRZ755UBRPTT
WC605BLP2T



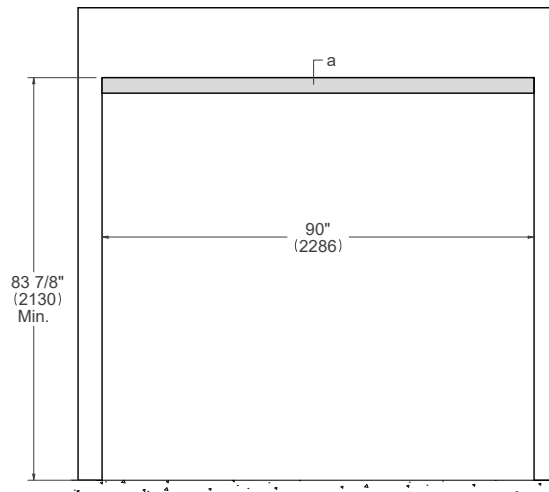
LRD905UBLXTT
FRZ755UBRXTT
WC605BLX2T
LRD905UBLPTT
FRZ755UBRPTT
WC605BLP2T



TOP VIEW ^b



FRONT VIEW



- (a) Spacers - Included with appliance
- (b) All Freezer and Wine Columns are supplied with a vertical connector trim for multiple columns installations. No addition accessories are needed

Dimensions in parentheses are millimeters unless otherwise specified.

b: depth includes kitchen cabinet front panel.

c: Optional 105cm (42 inch) bridge toe kick accessory is available. For details see page 72

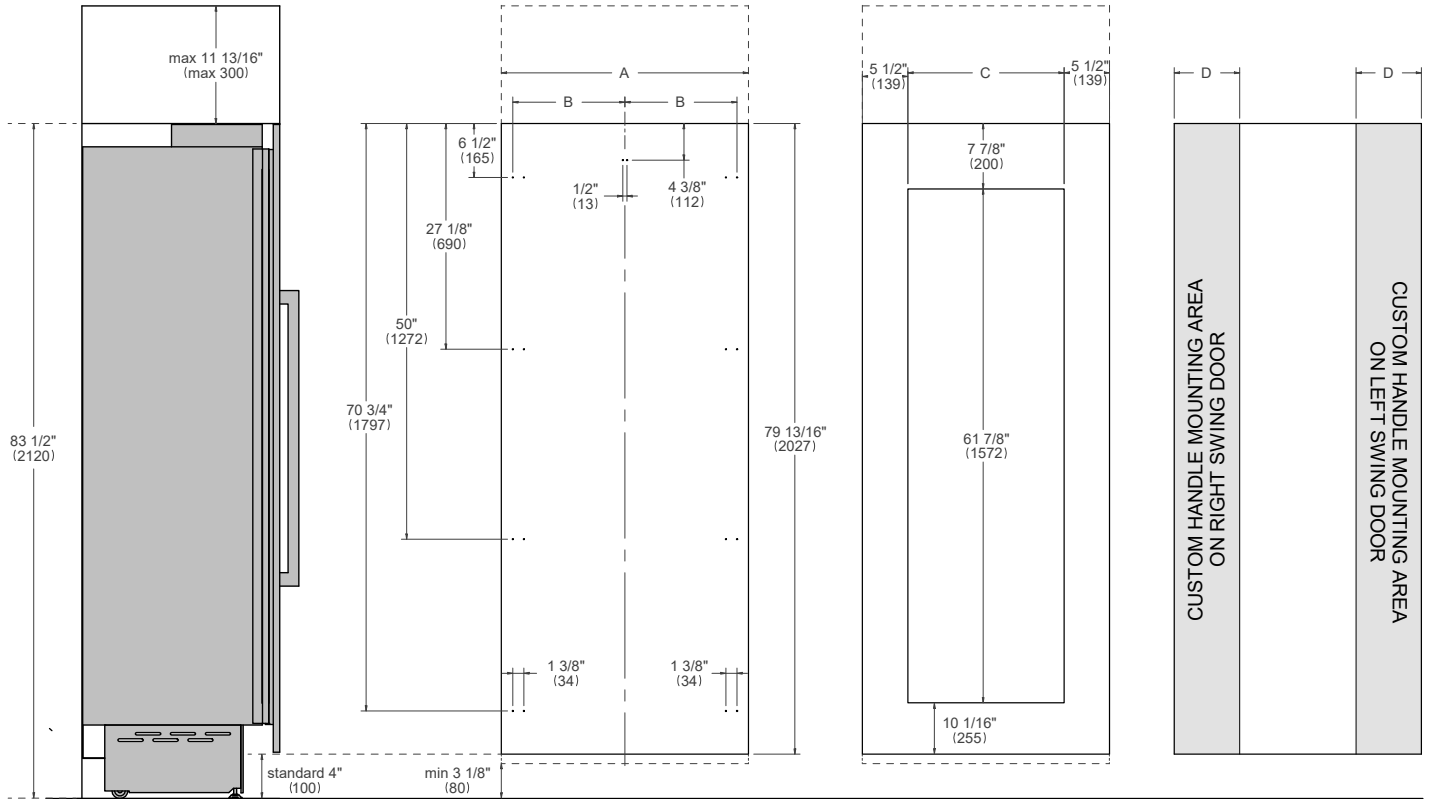
Custom Door Panel



REAR PANEL DRILLING

WINE COLUMN DOOR WINDOW DIMENSIONS

CUSTOM HANDLES MOUNTING AREA



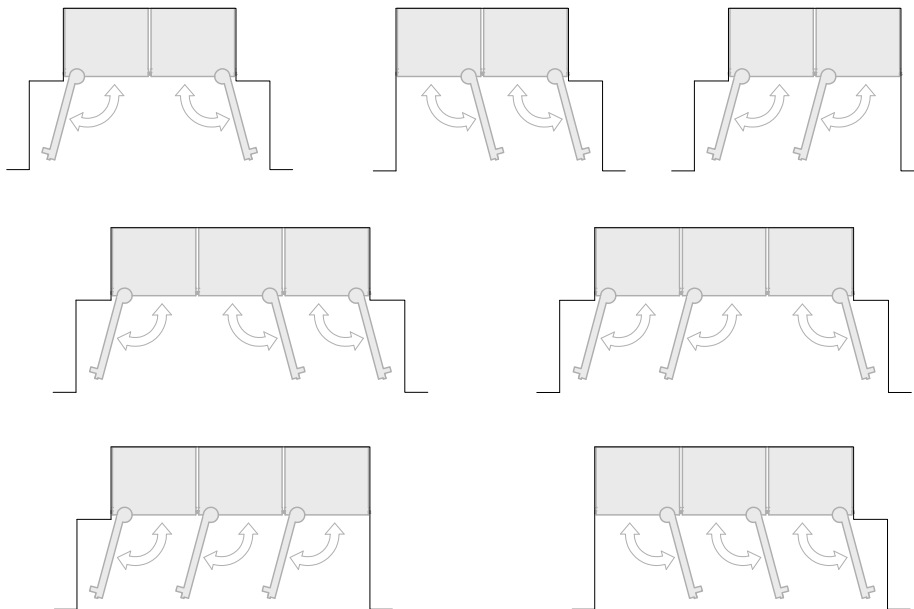
	90cm (36")	75cm (30")	60cm (24")	45cm (18")
A	908 (35 3/4")	756 (29 3/4")	604 (23 3/4")	451 (17 3/4")
B	418 (16 1/2")	343 (13 1/2")	275 (10 7/8")	200 (7 7/8")
C	–	–	327 (12 7/8")	177 (6 7/8")
D	182 (7 1/8")	152 (6")	121 (4 3/4")	92 (3 5/8")

Dimensions in parentheses are millimeters unless otherwise specified.

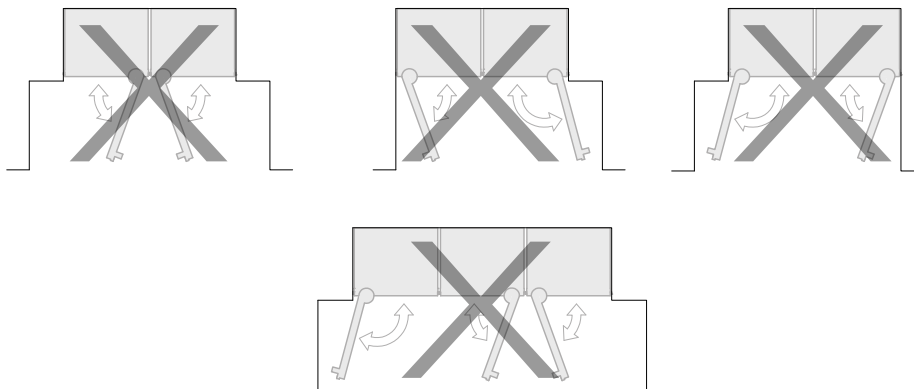
Recommended Installations



RECOMMENDED INSTALLATIONS



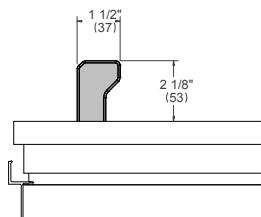
NOT RECOMMENDED INSTALLATIONS



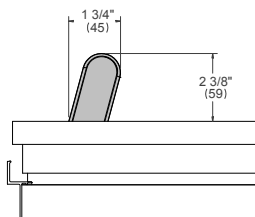
Refrigeration Handles



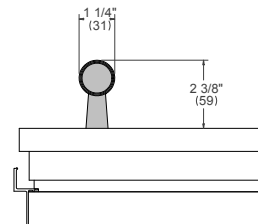
**PROFESSIONAL SERIES
PROHKCOL**



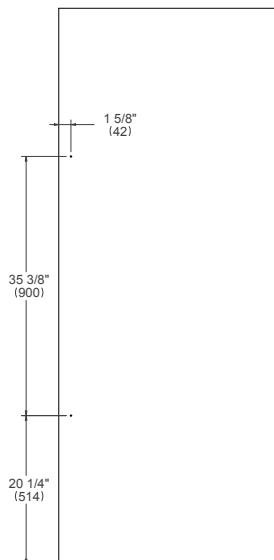
**MASTER SERIES
MASHKCOL**



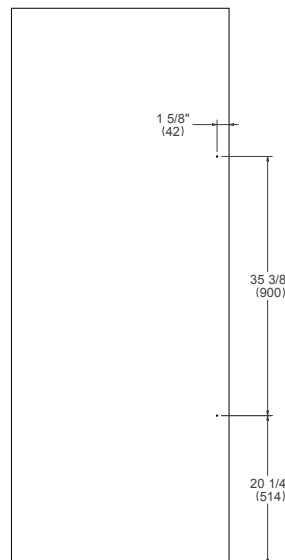
**HERITAGE SERIES
HERHKCOL**



**BERTAZZONI HANDLES
DRILLING ON RIGHT SWING DOOR**



**BERTAZZONI HANDLES
DRILLING ON LEFT SWING DOOR**



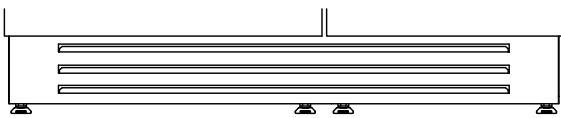
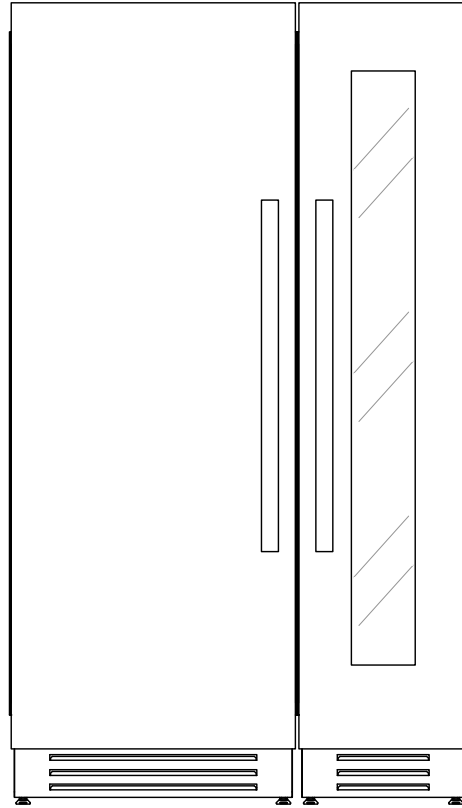
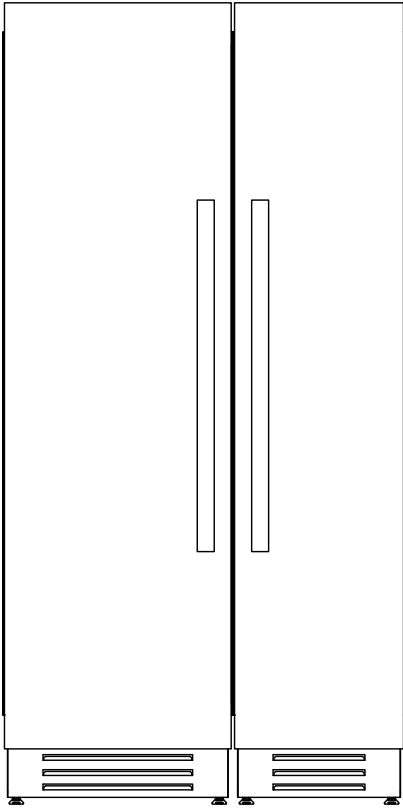
HANDLE INSTALLATION ON CUSTOM PANELS

In case a custom panel is to be mounted on any of the models listed below with Bertazzoni handles, it will be necessary to install M5 x 0.8 mm brass tapping inserts in order to secure the handle properly on the custom panel. Recommended drill bit size to drill the pilot hole is 9,5mm (3/8”).

Do not use a power tool to mount the inserts. Installation of the inserts with improperly calibrated power tools risk damaging the panels.

Dimensions in parentheses are millimeters unless otherwise specified.

Toekick Panel



Part number 901560

Part number 901561

Installation of multiple column units with a continuous cabinet toe kick are possible. Details are provided in the Bertazzoni Columns installation manual

BUILT-IN BOTTOM MOUNT REFRIGERATORS

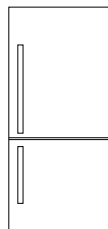


These refrigerators are masterpieces of design, styled to reflect Bertazzoni's meticulous attention to detail. They are practical too - incorporating the latest technology to retain the nutritional value, vitamins, mineral and texture of your food for longer.

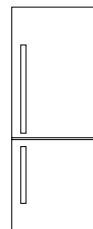
Designed for true flush installation in a standard depth cabinet, they are available in both stainless steel and panel ready models for a seamless installation with any adjacent cabinetry and can be installed side-by-side doubling your refrigerator space. Add the finishing touch with Professional, Master or Heritage Series handles to match the other appliances in your kitchen.

The side-by-side installation kit lets you create clean lines in your kitchen. "Lift and swing" hinges are available on 90cm (36") and 75cm (30") models to allow a minimal vertical gap of 3mm (1/8") between adjacent front cabinet panels.

90cm (36")
Panel Installed and
Panel Ready



75cm (30")
Panel Installed and
Panel Ready





90cm (36") Combi Bottom Mount Panel Installed

Dimensions



REF905BBLXTT left hinge
 REF905BBRXTT right hinge

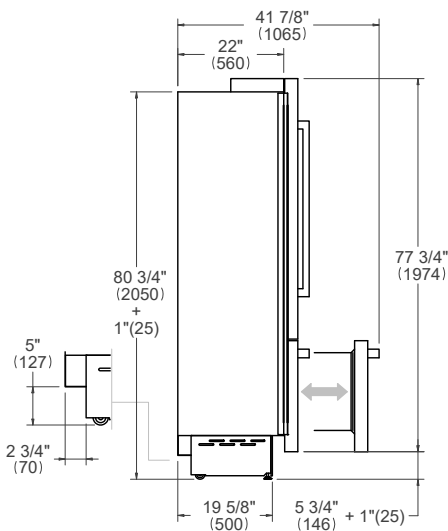
Handle choices

Professional Series: PROHK36PI

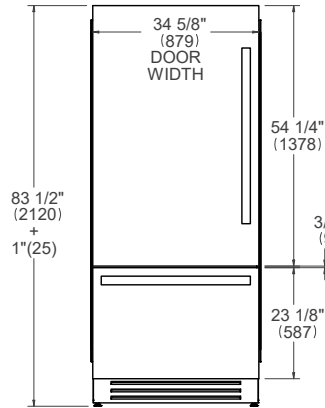
Master series: MASHK36PI

Heritage Series: HERHK36PI

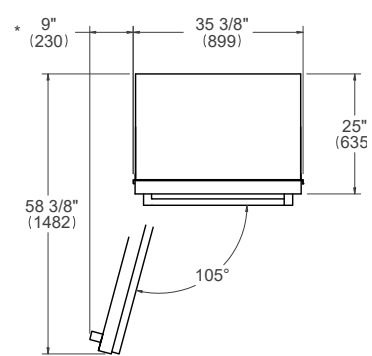
SIDE VIEW



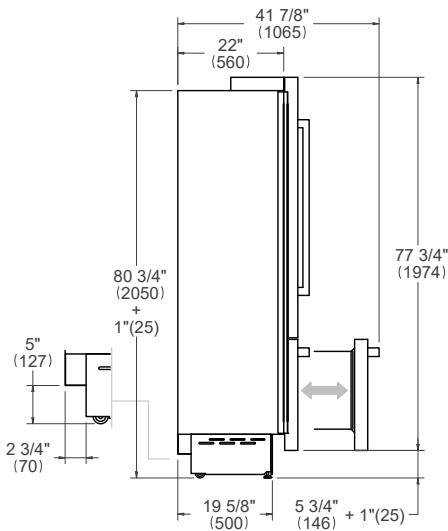
FRONT VIEW



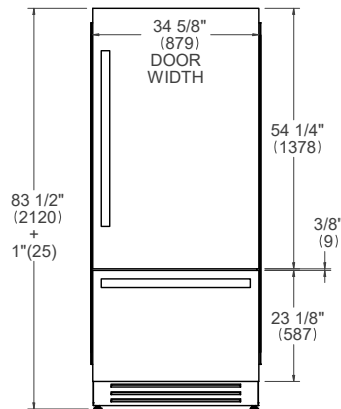
TOP VIEW



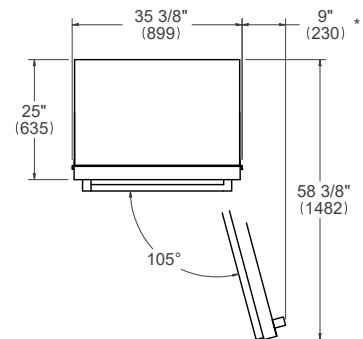
SIDE VIEW



FRONT VIEW



TOP VIEW



* Maximum Overall Handle Dimension
 For detailed handle dimensions see page 71

Dimensions in parentheses are millimeters unless otherwise specified.

90cm (36") Combi Bottom Mount Panel Installed

Installation requirements



CABINET REQUIREMENT

Installation of the appliance must be performed in accordance with the provisions of applicable legislation.

Be sure that support of this appliance is perpendicular to the front facing of the wall or cabinet before you perform the installation.

The floor must be flat and must be capable of supporting the weight of the appliance when in use.

Required floor support	695 kg (1532 lb)
-------------------------------	------------------

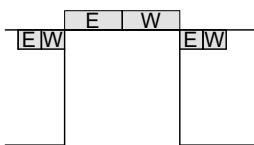
ELECTRICAL REQUIREMENT

The installation must comply with all applicable electrical codes. A properly - grounded horizontally - mounted electrical receptacle should be installed.

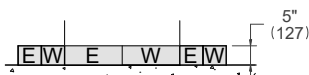
Place the electrical supply flush with the back wall and within the shaded area shown in the illustrations.

Placement within the opening may require additional cabinet depth.

TOP VIEW



FRONT VIEW



A separate circuit breaker servicing only this appliance is recommended.

Electrical supply	220-240 V 50/60 Hz 275 W 1,5 Amp
Service	10 Amp dedicated circuit
Power Connection	2-pole 220V SCHUKO plug with 2,5m power cord

PLUMBING REQUIREMENT

Bertazzoni Combi are provided with a water filter assembly which must be mounted inside the unit.

The appliance must be connected only to a potable water supply system.

To connect to water supply system (for appliances equipped with ice maker) a 6,4mm (1/4") waterline with accessible shut-off valve must be supplied.

The solenoid connection on the appliance is 19mm (3/4") diameter but is metric threaded (NPT).

The system pressure must be between from 8 PSI to 75 PSI (between 0.5 bar and 5 bar). Different pressures can cause malfunctions or leaks in the water system.

For detailed installation specifications consult the multiple installation requirements page or each single product installation manual.

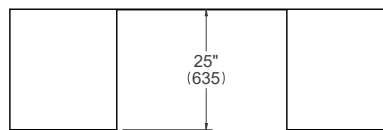
Dimensions in parentheses are millimeters unless otherwise specified.

90cm (36") Combi Bottom Mount Panel Installed

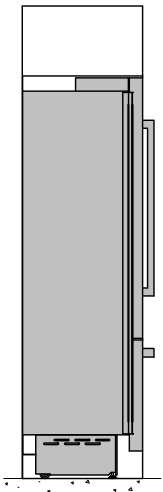
Flush installation



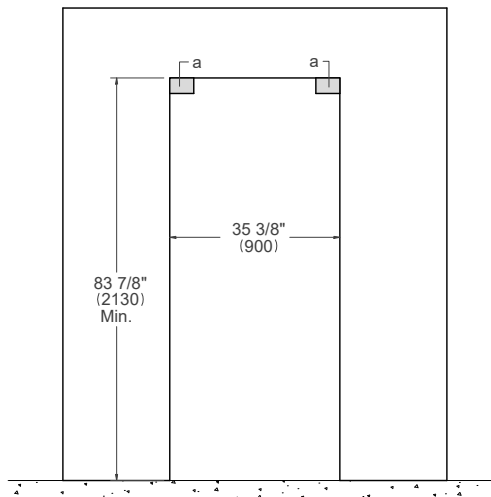
TOP VIEW^b



SIDE VIEW



FRONT VIEW



(a) Area to be left clear for the anti-tipping brackets – 82x127mm (3"1/2x5")

Dimensions in parentheses are millimeters unless otherwise specified.

b: depth includes kitchen cabinet front panel.

90cm (36") Combi Bottom Mount Panel Ready



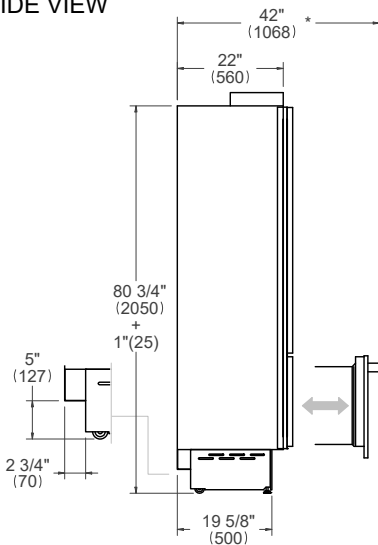
Dimensions

REF905BBLPTT left hinge
 REF905BBRPTT right hinge

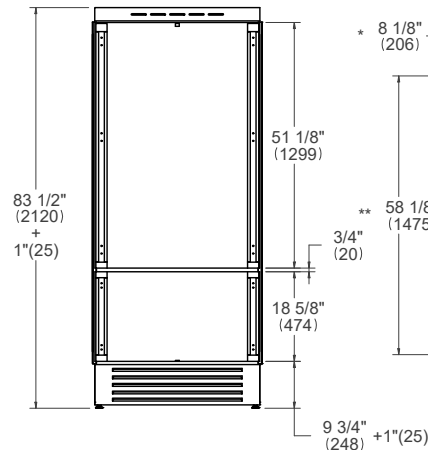
Handle choices

Professional Series: PROHK36PI
 Master series: MASHK36PI
 Heritage Series: HERHK36PI

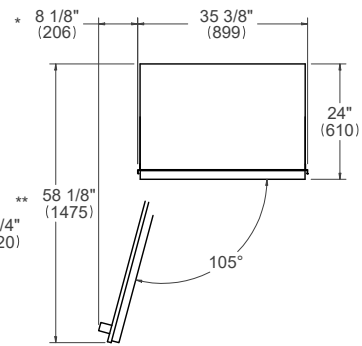
SIDE VIEW



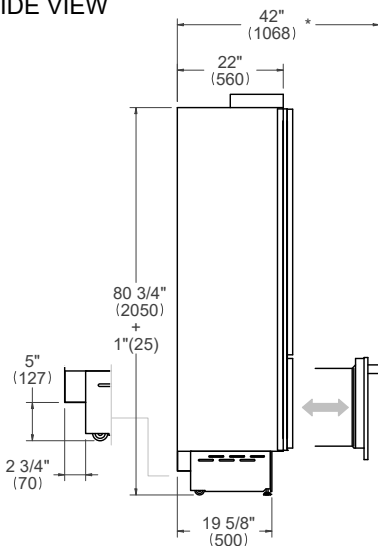
FRONT VIEW



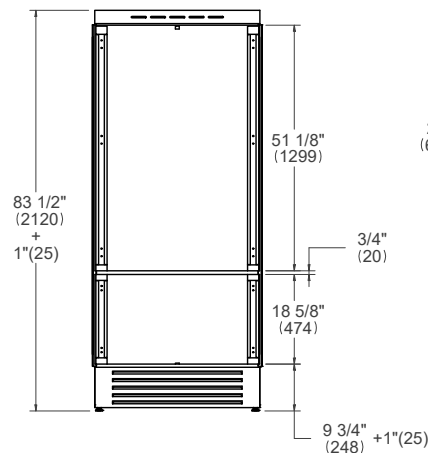
TOP VIEW



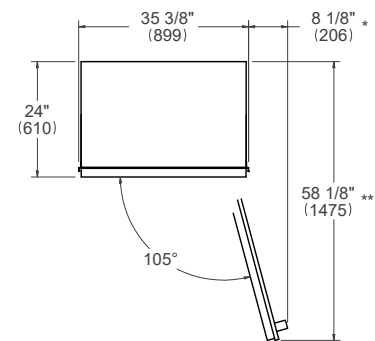
SIDE VIEW



FRONT VIEW



TOP VIEW



* Maximum Overall Handle Dimension
 ** Width of 19mm (3/4") Door Panel
 For detailed handle dimensions see page 71

Dimensions in parentheses are millimeters unless otherwise specified.

90cm (36") Combi Bottom Mount Panel Ready

Installation requirements



CABINET REQUIREMENT

Installation of the appliance must be performed in accordance with the provisions of applicable legislation.

Be sure that support of this appliance is perpendicular to the front facing of the wall or cabinet before you perform the installation.

The floor must be flat and must be capable of supporting the weight of the appliance when in use.

Required floor support	695 kg (1532 lb)
-------------------------------	------------------

For panel ready combi bottom mount, do not exceed the maximum weight of 23 kg (51 pounds) for door panel and 11 kg (25 pounds) for drawer panel.

Panel can have thickness ranging between 19 mm (3/4") and 28 mm (1 1/8").

ELECTRICAL REQUIREMENT

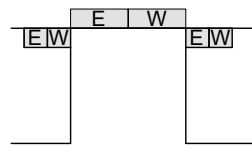
The installation must comply with all applicable electrical codes. A properly - grounded horizontally - mounted electrical receptacle should be installed.

Place the electrical supply flush with the back wall and within the shaded area shown in the illustrations.

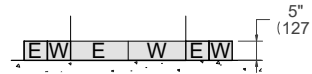
Placement within the opening may require additional cabinet depth.

For detailed installation specifications consult the multiple installation requirements page or each single product installation manual.

TOP VIEW



FRONT VIEW



A separate circuit breaker servicing only this appliance is recommended.

Electrical supply	220-240 V 50/60 Hz 275 W 1,5 Amp
Service	10 Amp dedicated circuit
Power Connection	2-pole 220V SCHUKO plug with 2,5m power cord

PLUMBING REQUIREMENT

Bertazzoni Combi are provided with a water filter assembly which must be mounted inside the unit.

The appliance must be connected only to a potable water supply system.

To connect to water supply system (for appliances equipped with ice maker) a 6,4mm (1/4") waterline with accessible shut-off valve must be supplied.

The solenoid connection on the appliance is 19mm (3/4") diameter but is metric threaded (NPT).

The system pressure must be between from 8 PSI to 75 PSI (between 0.5 bar and 5 bar). Different pressures can cause malfunctions or leaks in the water system.

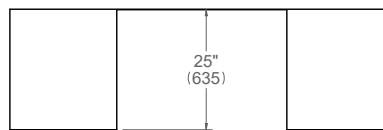
Dimensions in parentheses are millimeters unless otherwise specified.

90cm (36") Combi Bottom Mount Panel Ready

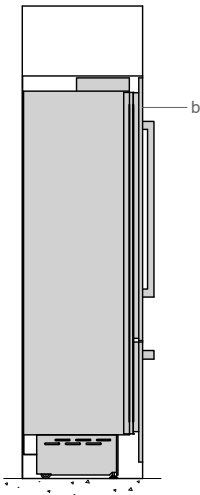
Flush installation



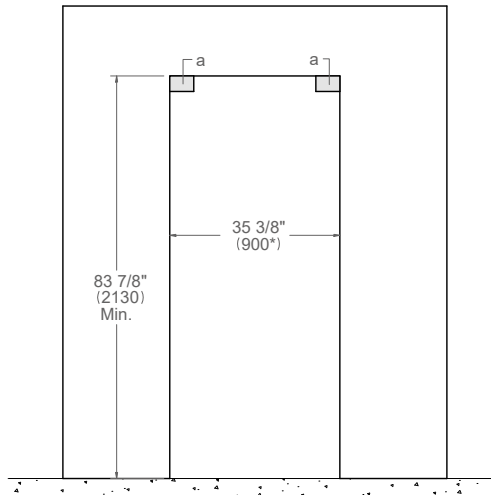
TOP VIEW



SIDE VIEW



FRONT VIEW



- (a) Area to be left clear for the anti-tipping brackets – 82x127mm (3"1/2x5")
- (b) Panel dimensions available on Built-in Food Preservation Design Guide or Installation Manual

Dimensions in parentheses are millimeters unless otherwise specified.

b: depth includes kitchen cabinet front panel.
* 35 9/16" (903) for framed-in installation.

75cm (30") Combi Bottom Mount Panel Installed

Dimensions

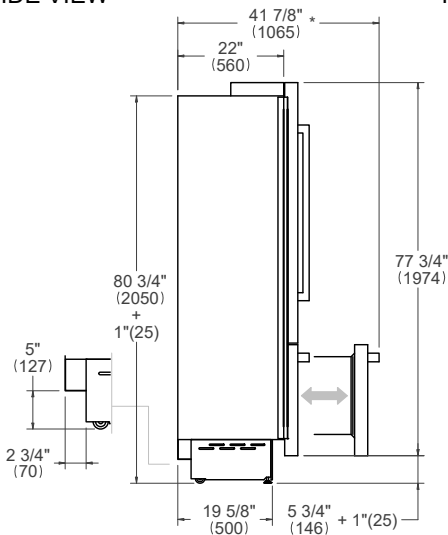


REF755BBLXTT left hinge
 REF755BBRXTT right hinge

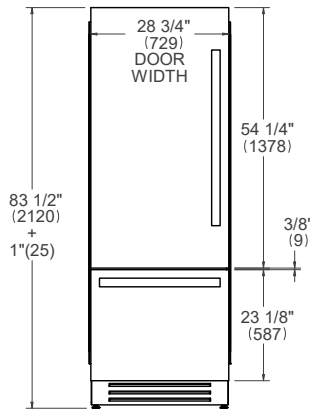
Handle choices

Professional Series: PROHK30PI
 Master series: MASHK30PI
 Heritage Series: HERHK30PI

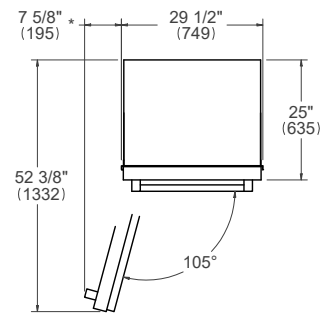
SIDE VIEW



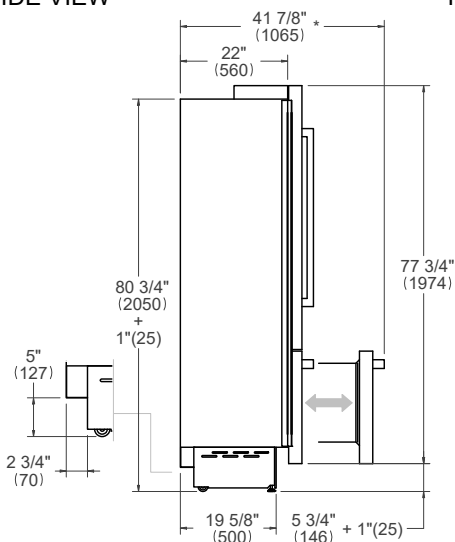
FRONT VIEW



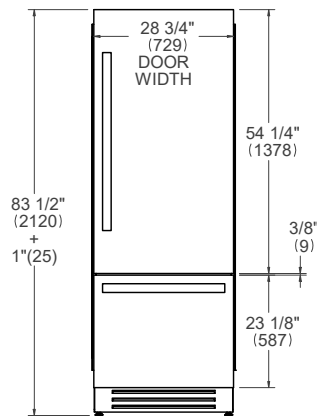
TOP VIEW



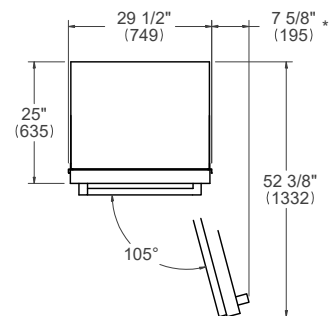
SIDE VIEW



FRONT VIEW



TOP VIEW



* Maximum Overall Handle Dimension
 For detailed handle dimensions see page 71

Dimensions in parentheses are millimeters unless otherwise specified.

75cm (30") Combi Bottom Mount Panel Installed

Installation requirements



CABINET REQUIREMENT

Installation of the appliance must be performed in accordance with the provisions of applicable legislation.

Be sure that support of this appliance is perpendicular to the front facing of the wall or cabinet before you perform the installation.

The floor must be flat and must be capable of supporting the weight of the appliance when in use.

Required floor support	570 kg (1257 lb)
-------------------------------	------------------

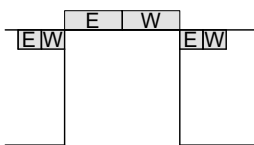
ELECTRICAL REQUIREMENT

The installation must comply with all applicable electrical codes. A properly - grounded horizontally - mounted electrical receptacle should be installed.

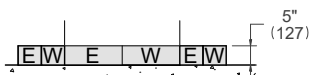
Place the electrical supply flush with the back wall and within the shaded area shown in the illustrations.

Placement within the opening may require additional cabinet depth.

TOP VIEW



FRONT VIEW



A separate circuit breaker servicing only this appliance is recommended.

Electrical supply	220-240 V 50/60 Hz 250 W 1,4 Amp
Service	10 Amp dedicated circuit
Power Connection	2-pole 220V SCHUKO plug with 2,5m power cord

PLUMBING REQUIREMENT

Bertazzoni Combi are provided with a water filter assembly which must be mounted inside the unit.

The appliance must be connected only to a potable water supply system.

To connect to water supply system (for appliances equipped with ice maker) a 6,4mm (1/4") waterline with accessible shut-off valve must be supplied.

The solenoid connection on the appliance is 19mm (3/4") diameter but is metric threaded (NPT).

The system pressure must be between from 8 PSI to 75 PSI (between 0.5 bar and 5 bar). Different pressures can cause malfunctions or leaks in the water system.

For detailed installation specifications consult the multiple installation requirements page or each single product installation manual.

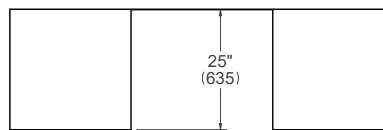
Dimensions in parentheses are millimeters unless otherwise specified.

75cm (30") Combi Bottom Mount Panel Installed

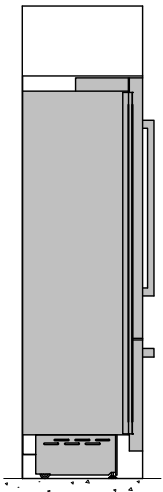
Flush installation



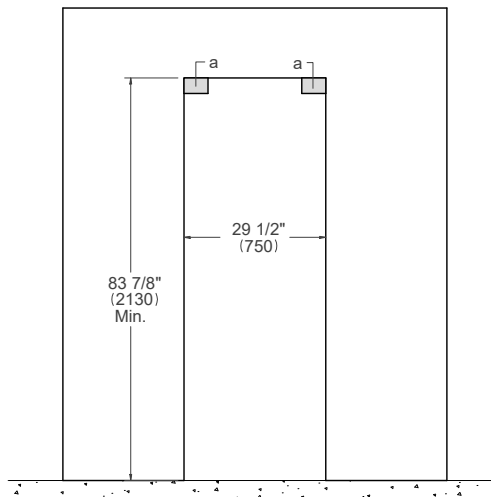
TOP VIEW^b



SIDE VIEW



FRONT VIEW



(a) Area to be left clear for the anti-tipping brackets – 82x127mm (3"1/2x5")

Dimensions in parentheses are millimeters unless otherwise specified.

b: depth includes kitchen cabinet front panel.

75cm (30") Combi Bottom Mount Panel Ready



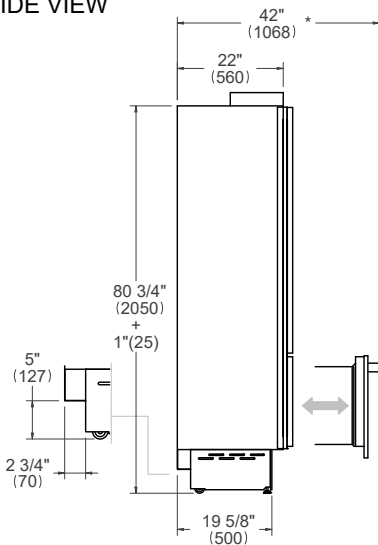
Dimensions

REF755BBLPTT left hinge
REF755BBRPTT right hinge

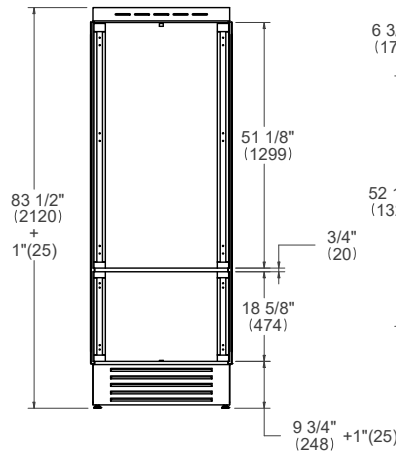
Handle choices

Professional Series: PROHK30PI
Master series: MASHK30PI
Heritage Series: HERHK30PI

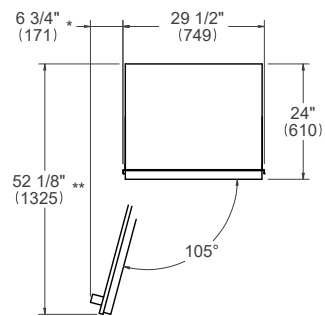
SIDE VIEW



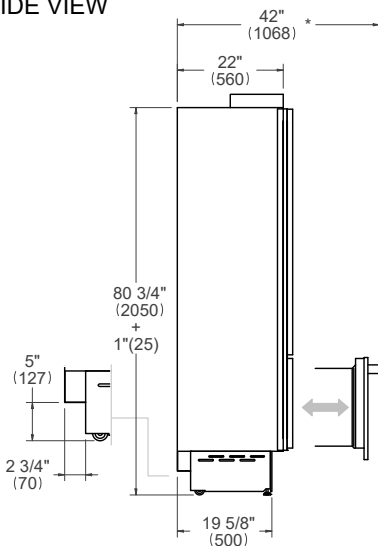
FRONT VIEW



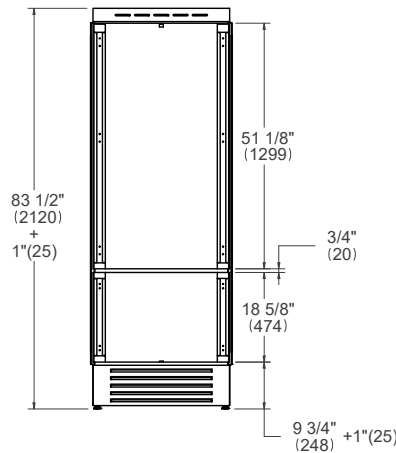
TOP VIEW



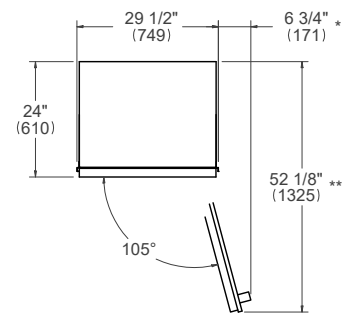
SIDE VIEW



FRONT VIEW



TOP VIEW



* Maximum Overall Handle Dimension
** Width of 19mm (3/4") Door Panel
For detailed handle dimensions see page 71

Dimensions in parentheses are millimeters unless otherwise specified.

75cm (30") Combi Bottom Mount Panel Ready

Installation requirements



CABINET REQUIREMENT

Installation of the appliance must be performed in accordance with the provisions of applicable legislation.

Be sure that support of this appliance is perpendicular to the front facing of the wall or cabinet before you perform the installation.

The floor must be flat and must be capable of supporting the weight of the appliance when in use.

Required floor support	570 kg (1257 lb)
-------------------------------	------------------

For panel ready combi bottom mount, do not exceed the maximum weight of 23 kg (51 pounds) for door panel and 11 kg (25 pounds) for drawer panel.

Panel can have thickness ranging between 19 mm (3/4") and 28 mm (1 1/8").

ELECTRICAL REQUIREMENT

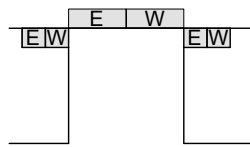
The installation must comply with all applicable electrical codes. A properly - grounded horizontally - mounted electrical receptacle should be installed.

Place the electrical supply flush with the back wall and within the shaded area shown in the illustrations.

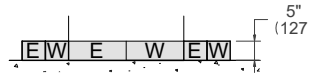
Placement within the opening may require additional cabinet depth.

For detailed installation specifications consult the multiple installation requirements page or each single product installation manual.

TOP VIEW



FRONT VIEW



A separate circuit breaker servicing only this appliance is recommended.

Electrical supply	220-240 V 50/60 Hz 250 W 1,4 Amp
Service	10 Amp dedicated circuit
Power Connection	2-pole 220V SCHUKO plug with 2,5m power cord

PLUMBING REQUIREMENT

Bertazzoni Combi are provided with a water filter assembly which must be mounted inside the unit.

The appliance must be connected only to a potable water supply system.

To connect to water supply system (for appliances equipped with ice maker) a 6,4mm (1/4") waterline with accessible shut-off valve must be supplied.

The solenoid connection on the appliance is 19mm (3/4") diameter but is metric threaded (NPT).

The system pressure must be between from 8 PSI to 75 PSI (between 0.5 bar and 5 bar). Different pressures can cause malfunctions or leaks in the water system.

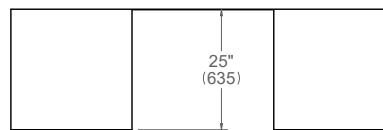
Dimensions in parentheses are millimeters unless otherwise specified.

75cm (30") Combi Bottom Mount Panel Ready

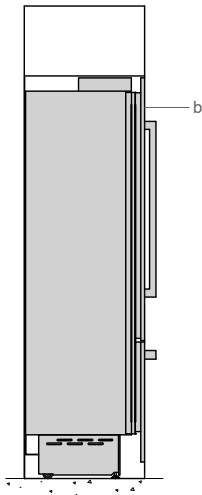
Flush installation



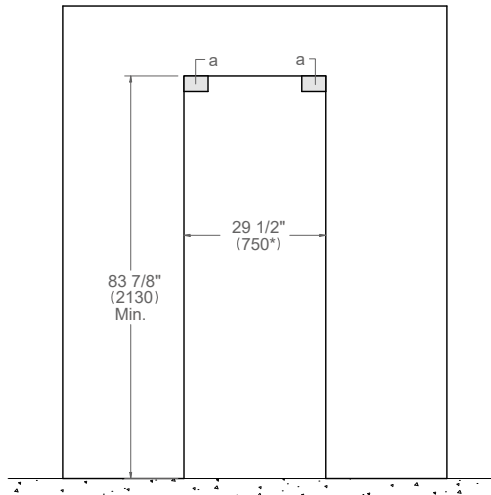
TOP VIEW^b



SIDE VIEW



FRONT VIEW



- (a) Area to be left clear for the anti-tipping brackets – 82x127mm (3"1/2x5")
- (b) Panel dimensions available on Built-in Food Preservation Design Guide or Installation Manual

Dimensions in parentheses are millimeters unless otherwise specified.

b: depth includes kitchen cabinet front panel.
* 29 5/8" (753) for framed-in installation.

BOTTOM MOUNT MULTIPLE INSTALLATIONS





Bottom Mount Multiple Installations

Installation requirements



CABINET REQUIREMENT

Installation of the appliance must be performed in accordance with the provisions of applicable legislation.

Be sure that support of this appliance is perpendicular to the front facing of the wall or cabinet before you perform the installation.

The floor must be flat and must be capable of supporting the weight of the appliance when in use.

For panel ready combi bottom mount, do not exceed the maximum weight of 23 kg (51 pounds) for door panel and 11 kg (25 pounds) for drawer panel.

Panel can have thickness ranging between 19 mm (3/4") and 28 mm (1 1/8").

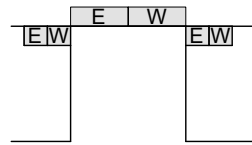
ELECTRICAL REQUIREMENT

The installation must comply with all applicable electrical codes. A properly - grounded horizontally - mounted electrical receptacle should be installed.

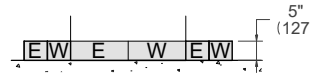
Place the electrical supply flush with the back wall and within the shaded area shown in the illustrations.

Placement within the opening may require additional cabinet depth.

TOP VIEW



FRONT VIEW



A separate circuit breaker servicing only these appliances is recommended.

PLUMBING REQUIREMENT

Bertazzoni Combi Bottom Mount are provided with a water filter assembly which must be mounted inside the unit.

The appliance must be connected only to a potable water supply system.

To connect to water supply system (for appliances equipped with ice maker) a 6,4mm (1/4") waterline with accessible shut-off valve must be supplied.

The solenoid connection on the appliance is 19mm (3/4") diameter but is metric threaded (NPT).

The system pressure must be between from 8 PSI to 75 PSI (between 0.5 bar and 5 bar). Different pressures can cause malfunctions or leaks in the water system.

For detailed installation specifications consult the multiple installation requirements page or each single product installation manual.

Dimensions in parentheses are millimeters unless otherwise specified.

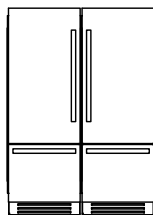
150cm (60") Combi Double Configurations

Flush installation

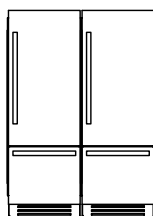


POSSIBLE COMBINATIONS

REF755BBRXTT
REF755BBLXTT

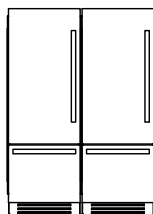


REF755BBRPTT
REF755BBLPTT



REF755BBRXTT
REF755BBRXTT

REF755BBRPTT
REF755BBRPTT



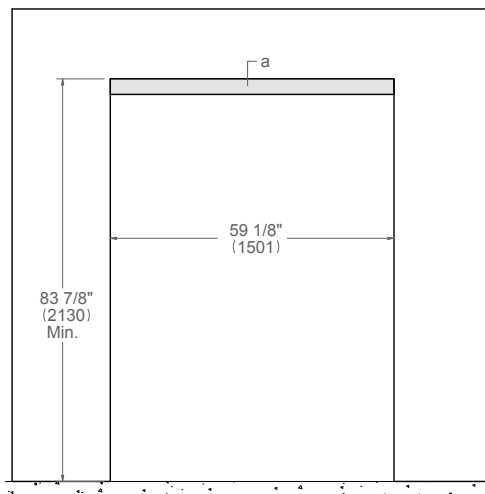
REF755BBLXTT
REF755BBLXTT

REF755BBLPTT
REF755BBLPTT

TOP VIEW^b



FRONT VIEW



a Area to be left clear for the anti-tipping brackets – 82x127mm (3”1/2x5”)

b Depth includes kitchen cabinet front panel

Dimensions in parentheses are millimeters unless otherwise specified.

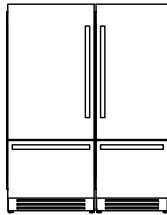
165cm (66") Combi Double Configurations

Flush installation

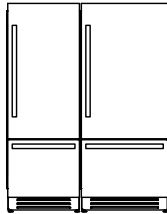


POSSIBLE COMBINATIONS

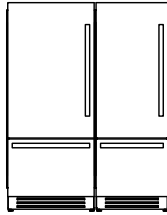
REF755BBRXTT
REF905BBLXTT
REF755BBLXTT
REF905BBRXTT
REF755BBRPPT
REF905BBLPTT
REF755BBLPTT
REF905BBRPPT



REF755BBRXTT
REF905BBRXTT
REF755BBRPPT
REF905BBRPPT



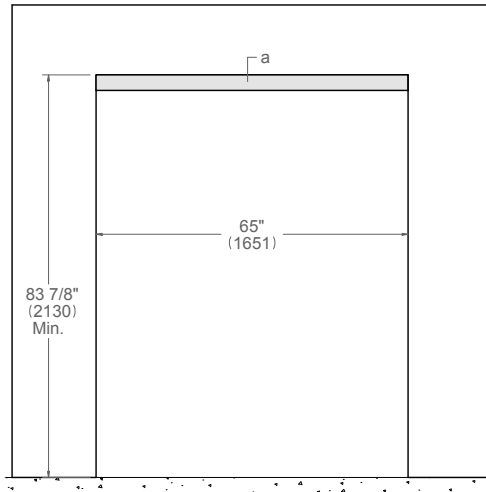
REF755BBLXTT
REF905BBLXTT
REF755BBLPTT
REF905BBLPTT



TOP VIEW^b



FRONT VIEW



a Area to be left clear for the anti-tipping brackets – 82x127mm (3”1/2x5”)

b Depth includes kitchen cabinet front panel

Dimensions in parentheses are millimeters unless otherwise specified.

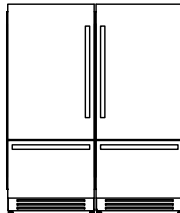
180cm (72") Combi Double Configurations

Flush installation

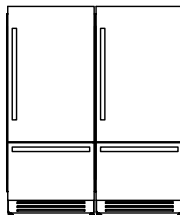


POSSIBLE COMBINATIONS

REF905BBRXTT
REF905BBLXTT

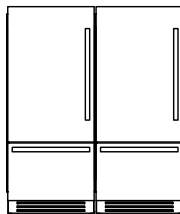


REF905BBRPPTT
REF905BBLPTT



REF905BBRXTT
REF905BBRXTT

REF905BBRPPTT
REF905BBRPPTT



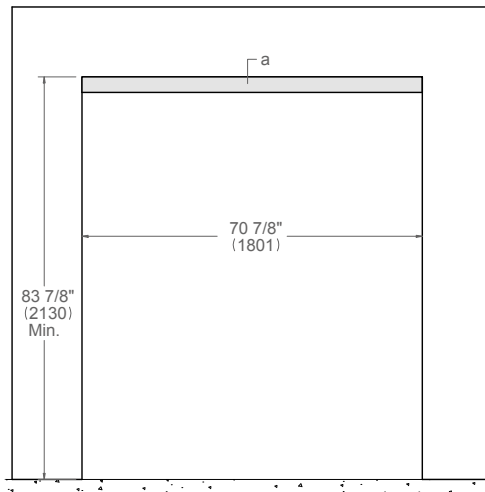
REF905BBLXTT
REF905BBLXTT

REF905BBLPTT
REF905BBLPTT

TOP VIEW^b



FRONT VIEW



a Area to be left clear for the anti-tipping brackets – 82x127mm (3¹/₂x5¹/₂)

b Depth includes kitchen cabinet front panel

Dimensions in parentheses are millimeters unless otherwise specified.

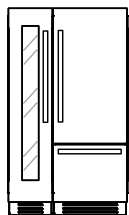
120cm (48") Double Configurations*

Flush installation

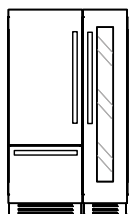


POSSIBLE COMBINATIONS ^c

REF755BBRPTT
WC455BLP2T



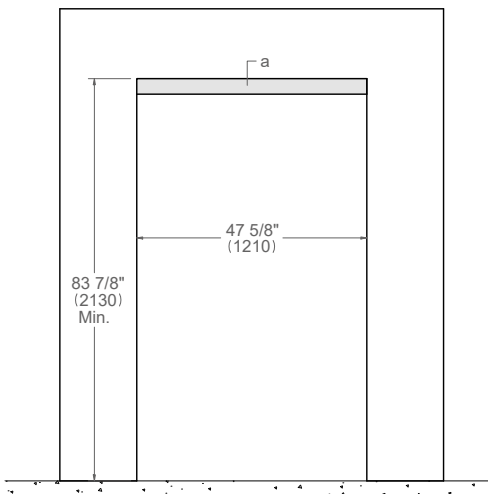
REF755BBLPTT
WC455BRP2T



TOP VIEW ^b



FRONT VIEW



- a Area to be left clear for the anti-tipping brackets – 82x127mm (3”1/2x5”)
- b Depth includes kitchen cabinet front panel
- c: Optional 48 inch bridge toe kick accessory is available. For details see page 72

Dimensions in parentheses are millimeters unless otherwise specified.
* The combination of bottom mount and wine column is only available for panel ready models.

All Freezer and Wine Columns are supplied with a vertical connector trim for multiple columns installations. No addition accessories are needed.

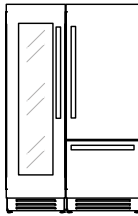
135cm (54") Double Configurations*

Flush installation

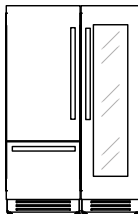


POSSIBLE COMBINATIONS

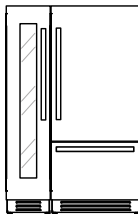
REF755BBRPTT
WC605BLP2T



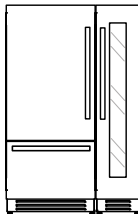
REF755BBLPTT
WC605BRP2T



REF905BBRPTT
WC455BLP2T



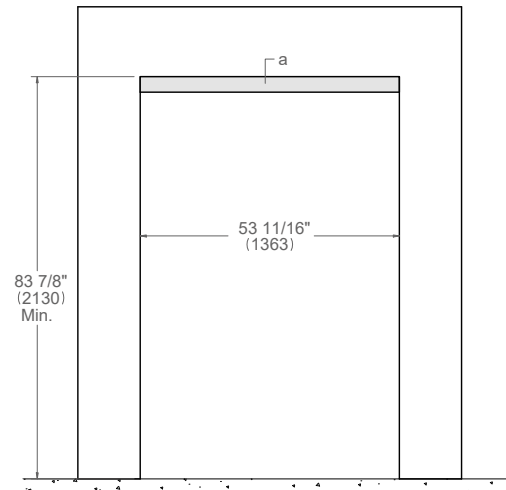
REF905BBLPTT
WC455BRP2T



TOP VIEW^b



FRONT VIEW



a Area to be left clear for the anti-tipping brackets – 82x127mm (3¹/₂x5¹/₂)

b Depth includes kitchen cabinet front panel

Dimensions in parentheses are millimeters unless otherwise specified.

* The combination of bottom mount and wine column is only available for panel ready models.

All Freezer and Wine Columns are supplied with a vertical connector trim for multiple columns installations. No addition accessories are needed.

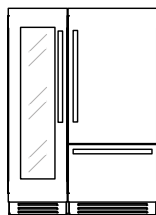
150cm (60") Double Configurations*

Flush installation

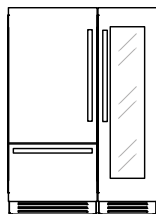


POSSIBLE COMBINATIONS

REF905BBRPTT
WC605BLP2T



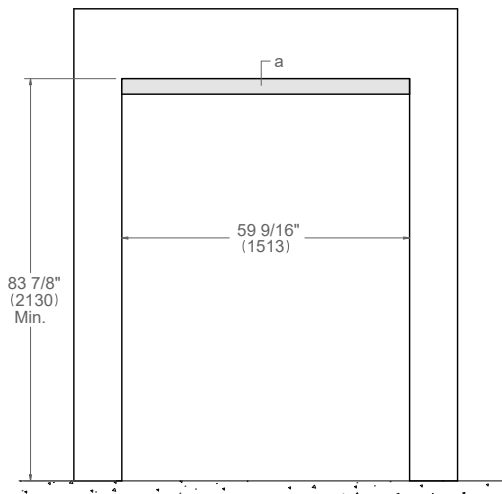
REF905BBLPTT
WC605BRP2T



TOP VIEW^b



FRONT VIEW



a Area to be left clear for the anti-tipping brackets – 82x127mm (3”1/2x5”)

b Depth includes kitchen cabinet front panel

Dimensions in parentheses are millimeters unless otherwise specified.

* The combination of bottom mount and wine column is only available for panel ready models.

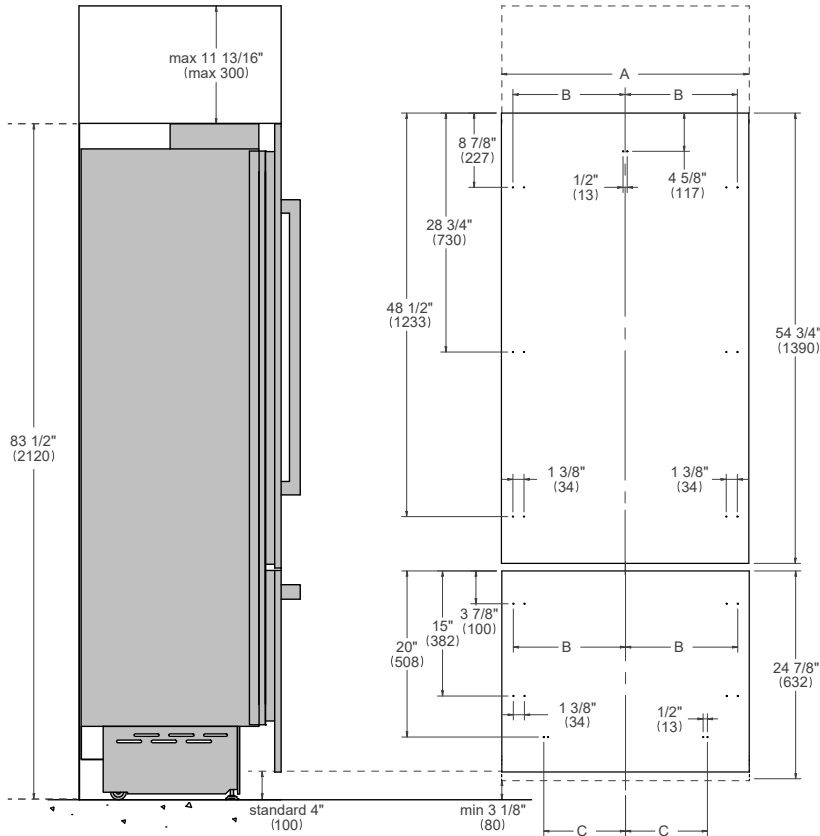
All Freezer and Wine Columns are supplied with a vertical connector trim for multiple columns installations. No addition accessories are needed.

Custom Door Panel



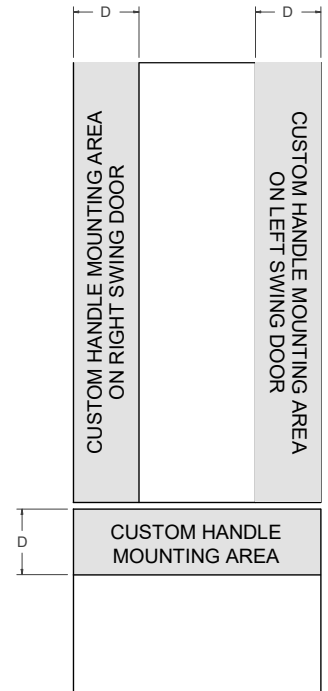
REAR PANEL DRILLING

CUSTOM HANDLES MOUNTING AREA



DOOR PANEL

DRAWER PANEL



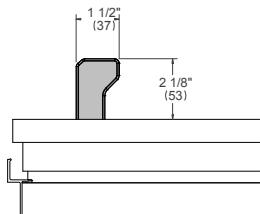
	90cm (36")	75cm (30")
A	897 (35 1/4")	747 (29 3/8")
B	418 (16 1/2")	343 (13 1/2")
C	354.5 (14")	279.5 (11")
D	152 (6")	152 (6")

Dimensions in parentheses are millimeters unless otherwise specified.

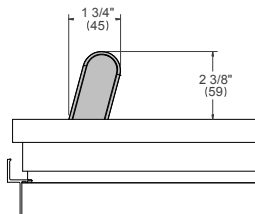
Refrigeration Handles



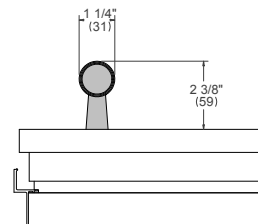
PROFESSIONAL SERIES
PROHK36PI
PROHK30PI



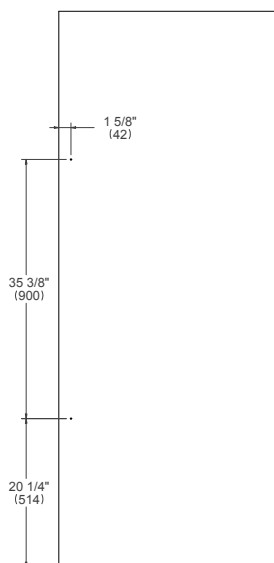
MASTER SERIES
MASHK36PI
MASHK30PI



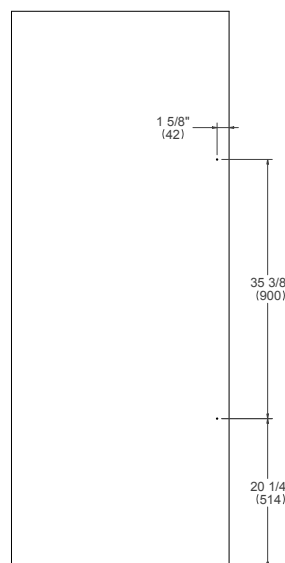
HERITAGE SERIES
HERHK36PI
HERHK30PI



BERTAZZONI HANDLES
DRILLING ON RIGHT SWING DOOR



BERTAZZONI HANDLES
DRILLING ON LEFT SWING DOOR



HANDLE INSTALLATION ON CUSTOM PANELS

In case a custom panel is to be mounted on any of the models listed below with Bertazzoni handles, it will be necessary to install M5 x 0.8 mm brass tapping inserts in order to secure the handle properly on the custom panel.
Recommended drill bit size to drill the pilot hole is 9,5mm (3/8").

Do not use a power tool to mount the inserts. Installation of the inserts with improperly calibrated power tools risk damaging the panels.

Dimensions in parentheses are millimeters unless otherwise specified.

BERTAZZONI.COM



TO COOK BEAUTIFULLY